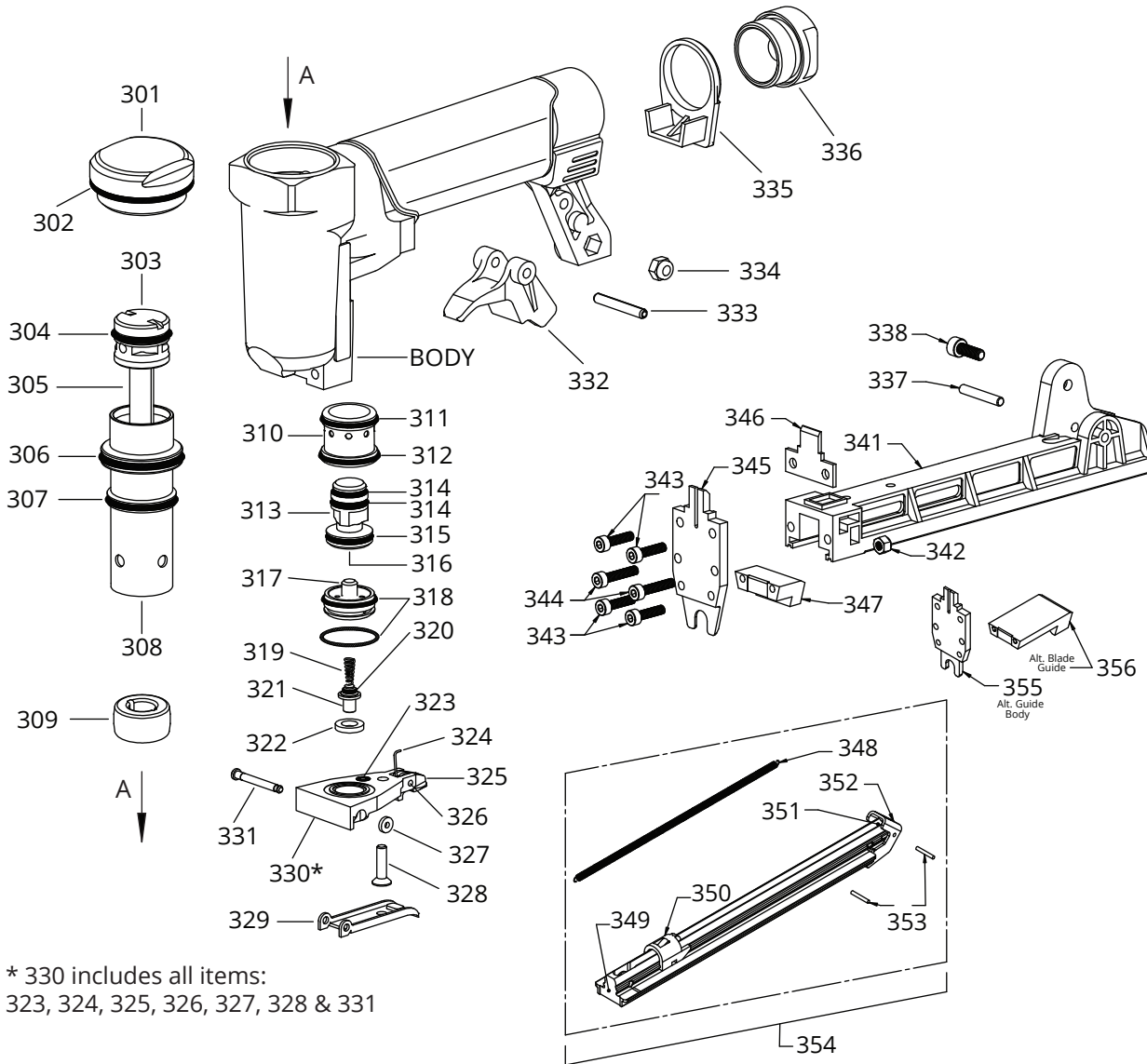


# RKJ-RG31 REPLACEMENT PART LISTING

Rotor Kick Jr. Automated Assembly Retaining Ring Tool



\* 330 includes all items:  
323, 324, 325, 326, 327, 328 & 331

| Item | Part Number | Description                             |
|------|-------------|---|
| 301  | 430096      | Cap with Seal                           |
| 302  | OR622099    | Seal                                    |
| 303  | 9292-306    | Piston with Blade (305) & O-Ring (304)  |
| 304  | OR622010    | Seal                                    |
| 305  | 9292-306A   | Blade                                   |
| 306  | OR622121    | Seal                                    |
| 307  | OR622115    | Seal                                    |
| 308  | 104150      | Cylinder with O-Rings (306 & 307 )      |
| 309  | 280058.2    | Stop                                    |
| 310  | 092095      | Housing with O-Rings (311 & 312)        |
| 311  | OR622074    | Seal                                    |
| 312  | OR622122    | Seal                                    |
| 313  | 288175      | Pin Assembly                            |
| 313  | 300314.2    | Piston with O-Rings (314 & 315)         |
| 314  | OR622005    | Seal                                    |
| 315  | OR622035    | Seal                                    |
| 316  | 070002      | Cushion                                 |
| 317  | 140086.1    | Valve with O-Rings ( 2 pcs 318)         |
| 318  | OR622122    | Seal                                    |
| 319  | 200057      | Spring                                  |
| 320  | OR622025    | Seal                                    |
| 321  | 288175      | Stud with Spring (319) and Gasket (322) |
| 322  | 166026      | Gasket                                  |
| 323  | OR622094    | Seal                                    |
| 324  | 200155      | Spring                                  |
| 325  | 184081      | Trigger Lever Safety                    |
| 326  | 662021      | Pin                                     |
| 327  | 348012      | Retainer                                |
| 328  | 667022      | Screw                                   |
| 329  | 164061      | Trigger                                 |
| 330  | 294104      | Plate Assembly                          |
| 331  | 288172      | Pin                                     |
| 332  | 184062      | Latch                                   |
| 333  | 662019      | Pin                                     |
| 334  | 650005      | M5 Elastic Stop Nut                     |
| 335  | 430045      | Bracket                                 |
| 336  | 326037.1    | Adapter                                 |
| 337  | 662019      | Pin                                     |
| 338  | 666032      | M5 x 14 SHCS                            |
| 339  | 184061      | Latch                                   |
| 340  | 200145      | Spring                                  |
| 341  | 172342      | Housing                                 |
| 342  | 650008      | M4 Elastic Stop Nut                     |
| 343  | 666023      | M4 x 16 SHCS                            |
| 344  | 666075      | M4 x 20 SHCS                            |
| 345  | 9292-308-1  | Guide Body                              |
| 346  | 9292-310    | Plate                                   |
| 347  | 9292-307M   | Rear Blade Guide                        |
| 348  | 200033      | Pusher Spring                           |
| 349  | 9292-301P   | Rail                                    |
| 350  | 9292-304    | Pusher                                  |
| 351  | LC-022A-08  | Latch Spring                            |
| 352  | 9292-305-1  | Latch                                   |
| 353  | 9069ZA084   | Roll Pin                                |
| 354  | 9292-300P   | Rail Assembly                           |
| 355  | 9292-308-1A | Guide Body Alternate                    |
| 356  | 9292-307AM  | Rear Blade Guide Alternate              |

Rotor Clip

187 Davidson Avenue, Somerset, NJ 08873

+1 732.469.7333

sales@rotorclip.com

3/21

 **ROTOR CLIP**  
www.rotorclip.com