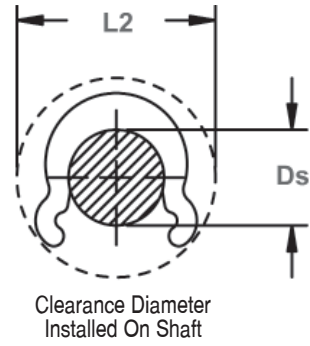
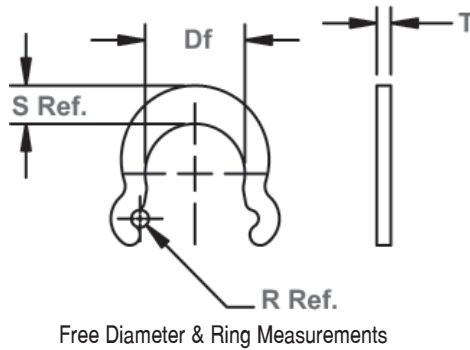




RG Shaft Rings

External, Self-Locking Radial Grip

The RG makes indentations on either side of the groove once installed which significantly increases its holding power. It can also be installed directly against the face of the retained part, virtually eliminating end play.
(Note: this product works only on "soft" shafts.)



RING NO.	SHAFT DIAMETER				RING SIZE & WEIGHT						CLEARANCE Installed on shaft	THRUST LOAD Allowable load (lbs.)	RPM LIMITS Standard Material	
					FREE DIAMETER		THICKNESS***		NOTCH DIA.	MAXIMUM SECTION				Weight Per 1000 Pcs.
	FROM	TO	Ds FRACT	Ds mm	Df	Tol.	T	TOL.			R Ref.	S Ref.	lbs.	
RG-9	.092	.096	3/32	2.4	.089	+.002	.025	±.002	.040	.045	.14	.30	8	OVER 80,000
RG-12	.123	.127	1/8	3.2	.119	-.003	.025		.040	.054	.19	.34	10	
RG-15	.154	.158	5/32	4.0	.149	+.002	.025		.040	.078	.27	.38	13	
RG-18	.185	.189	3/16	4.8	.179	-.004	.035		.048	.085	.45	.44	18	
RG-25	.248	.252	1/4	6.3	.238		.035		.048	.100	.74	.54	22	
RG-31	.310	.316	5/16	7.9	.298	+.003	.042		.052	.114	1.1	.66	32	
RG-37	.373	.379	3/8	9.5	.356	-.005	.042		.052	.130	1.5	.76	42	

† VALUES SHOWN APPLY TO RINGS INSTALLED ON A SHAFT MADE OF LOW CARBON STEEL.
FOR AN EXPLANATION OF FORMULAS USED TO DERIVE THRUST LOAD AND OTHER PERFORMANCE DATA, CONTACT THE ROTOR CLIP ENGINEERING DEPARTMENT.
***FOR PLATED RINGS, ADD .002" TO THE LISTED MAXIMUM THICKNESS.

HARDNESS RANGES: CARBON STEEL RINGS (SAE 1060-1090)

RING TYPE	SIZE RANGE	SCALE	ROCKWELL HARDNESS
RG	9-15	30N	65.8-70.2
	18-37	C	47-52

