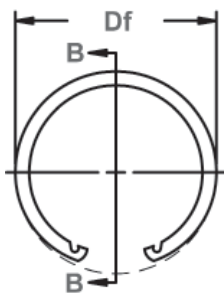




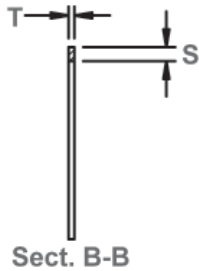
# UHO Constant Section Rings

## Snap Ring, Internal Notched, Inch

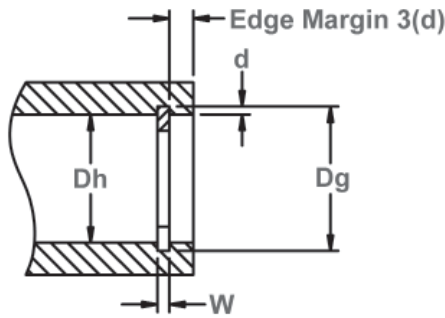
Once installed in the groove of a housing/bore, the portion of the ring protruding from the groove holds an assembly in place.



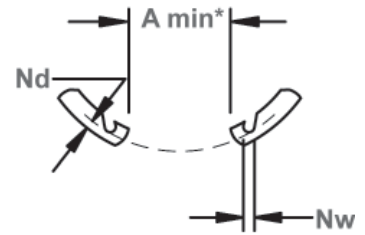
Free Diameter & Ring  
Measurement With Section B-B



Sect. B-B



Housing Diameter &  
Groove Dimensions



\*Ring installed in groove

Material SAE 1060-1075

| RING SIZE | HOUSING DIAMETER |           |       | GROOVE SIZE |          |       | RING DIMENSIONS |               |          |           |         | ALLOWABLE STATIC THRUST LOAD (Lbs.) |      |                  |      |
|-----------|------------------|-----------|-------|-------------|----------|-------|-----------------|---------------|----------|-----------|---------|-------------------------------------|------|------------------|------|
|           |                  |           |       | DIAMETER    |          | WIDTH | DEPTH           | FREE DIAMETER |          | THICKNESS | SECTION |                                     | GAP  | NOTCH DIMENSIONS |      |
|           | Dh DEC           | Dh FRACT. | Dh mm | Dg          | TOL.     |       |                 | Df            | TOL.     |           |         |                                     |      | T                | S    |
|           |                  |           |       |             |          |       |                 | +/-0.002      | +/-0.005 |           |         |                                     |      |                  |      |
| UHO-175   | 1.750            | 1-3/4     | 44.4  | 1.858       | +/-0.005 | .068  | .054            | 1.878         | +0.070   | .062      | .156    | .370                                | .078 | .093             | 4100 |
| UHO-181   | 1.812            | 1-13/16   | 46.0  | 1.922       |          |       | .055            | 1.942         |          | .062      | .156    | .370                                | .078 | .093             | 4280 |
| UHO-185   | 1.850            | -         | 47.0  | 1.962       |          |       | .056            | 1.982         |          | .062      | .156    | .370                                | .078 | .093             | 4380 |
| UHO-187   | 1.875            | 1-7/8     | 47.6  | 1.989       |          |       | .057            | 2.014         |          | .062      | .156    | .400                                | .078 | .093             | 4650 |
| UHO-193   | 1.938            | 1-15/16   | 49.2  | 2.056       |          |       | .059            | 2.081         |          | .062      | .156    | .400                                | .078 | .093             | 5000 |
| UHO-200   | 2.000            | 2         | 50.8  | 2.122       |          |       | .061            | 2.147         |          | .062      | .156    | .420                                | .078 | .093             | 5350 |
| UHO-206   | 2.047            | -         | 52.0  | 2.171       |          |       | .062            | 2.201         |          | .078      | .171    | .420                                | .085 | .093             | 6490 |
| UHO-206   | 2.062            | 2-1/16    | 52.4  | 2.186       |          |       | .062            | 2.201         |          | .078      | .171    | .450                                | .085 | .093             | 6490 |
| UHO-212   | 2.125            | 2-1/8     | 54.0  | 2.251       |          |       | .063            | 2.271         |          | .078      | .171    | .450                                | .085 | .093             | 6810 |
| UHO-218   | 2.165            | -         | 55.0  | 2.295       |          |       | .065            | 2.338         |          | .078      | .171    | .430                                | .085 | .093             | 7240 |
| UHO-218   | 2.188            | 2-3/16    | 55.6  | 2.318       | .065     | 2.338 | .078            | .171          | .470     | .085      | .093    | 7240                                |      |                  |      |
| UHO-225   | 2.250            | 2-1/4     | 57.1  | 2.382       | .066     | 2.402 | .078            | .171          | .450     | .085      | .093    | 7560                                |      |                  |      |
| UHO-231   | 2.312            | 2-5/16    | 58.7  | 2.450       | .069     | 2.470 | .078            | .171          | .450     | .085      | .093    | 8120                                |      |                  |      |
| UHO-237   | 2.375            | 2-3/8     | 60.3  | 2.517       | .071     | 2.537 | .078            | .188          | .470     | .093      | .093    | 8580                                |      |                  |      |
| UHO-244   | 2.440            | 2-7/16    | 62.0  | 2.584       | .072     | 2.604 | .078            | .188          | .470     | .093      | .093    | 8940                                |      |                  |      |
| UHO-250   | 2.500            | 2-1/2     | 63.5  | 2.648       | .074     | 2.673 | .078            | .188          | .470     | .093      | .093    | 9410                                |      |                  |      |
| UHO-253   | 2.531            | 2-17/32   | 64.3  | 2.681       | .075     | 2.706 | .078            | .188          | .470     | .093      | .093    | 9660                                |      |                  |      |
| UHO-256   | 2.562            | 2-9/16    | 65.1  | 2.714       | .076     | 2.739 | .093            | .188          | .530     | .093      | .093    | 9910                                |      |                  |      |
| UHO-262   | 2.625            | 2-5/8     | 66.7  | 2.781       | .078     | 2.806 | .093            | .188          | .530     | .093      | .093    | 10420                               |      |                  |      |
| UHO-268   | 2.677            | -         | 68.0  | 2.837       | .080     | 2.868 | .093            | .188          | .530     | .093      | .093    | 10900                               |      |                  |      |
| UHO-268   | 2.688            | 2-11/16   | 68.3  | 2.848       | .080     | 2.868 | .093            | .188          | .560     | .093      | .093    | 10900                               |      |                  |      |
| UHO-275   | 2.750            | 2-3/4     | 69.8  | 2.914       | .082     | 2.944 | .093            | .188          | .590     | .093      | .093    | 11470                               |      |                  |      |
| UHO-281   | 2.812            | 2-13/16   | 71.4  | 2.980       | .084     | 3.025 | .093            | .188          | .590     | .093      | .093    | 12200                               |      |                  |      |
| UHO-281   | 2.835            | -         | 72.0  | 3.005       | .085     | 3.025 | .093            | .188          | .660     | .093      | .093    | 12200                               |      |                  |      |
| UHO-287   | 2.875            | 2-7/8     | 73.0  | 3.051       | .088     | 3.086 | .093            | .203          | .620     | .100      | .093    | 12870                               |      |                  |      |
| UHO-295   | 2.953            | -         | 75.0  | 3.135       | .091     | 3.175 | .093            | .203          | .620     | .100      | .093    | 13480                               |      |                  |      |
| UHO-300   | 3.000            | 3         | 76.2  | 3.182       | .091     | 3.222 | .093            | .203          | .620     | .100      | .093    | 13890                               |      |                  |      |
| UHO-306   | 3.062            | 3-1/16    | 77.8  | 3.248       | .093     | 3.288 | .109            | .218          | .650     | .109      | .125    | 14490                               |      |                  |      |
| UHO-312   | 3.125            | 3-1/8     | 79.4  | 3.315       | .095     | 3.353 | .109            | .218          | .650     | .109      | .125    | 15110                               |      |                  |      |
| UHO-315   | 3.149            | -         | 80.0  | 3.341       | .096     | 3.388 | .109            | .218          | .650     | .109      | .125    | 15420                               |      |                  |      |
| UHO-315   | 3.156            | 3-5/32    | 80.2  | 3.348       | .096     | 3.388 | .109            | .218          | .680     | .109      | .125    | 15420                               |      |                  |      |
| UHO-325   | 3.250            | 3-1/4     | 82.5  | 3.446       | .098     | 3.488 | .109            | .218          | .680     | .109      | .125    | 16210                               |      |                  |      |
| UHO-334   | 3.346            | 3-11/32   | 85.0  | 3.546       | .100     | 3.590 | .109            | .218          | .680     | .109      | .125    | 17030                               |      |                  |      |
| UHO-347   | 3.469            | 3-15/32   | 88.1  | 3.675       | .103     | 3.721 | .109            | .234          | .710     | .120      | .125    | 18190                               |      |                  |      |
| UHO-350   | 3.500            | 3-1/2     | 88.9  | 3.710       | .105     | 3.760 | .109            | .234          | .710     | .120      | .125    | 18700                               |      |                  |      |
| UHO-354   | 3.543            | -         | 90.0  | 3.755       | .106     | 3.805 | .109            | .234          | .740     | .120      | .125    | 19400                               |      |                  |      |
| UHO-354   | 3.562            | 3-9/16    | 90.5  | 3.776       | .107     | 3.805 | .109            | .234          | .810     | .120      | .125    | 19400                               |      |                  |      |

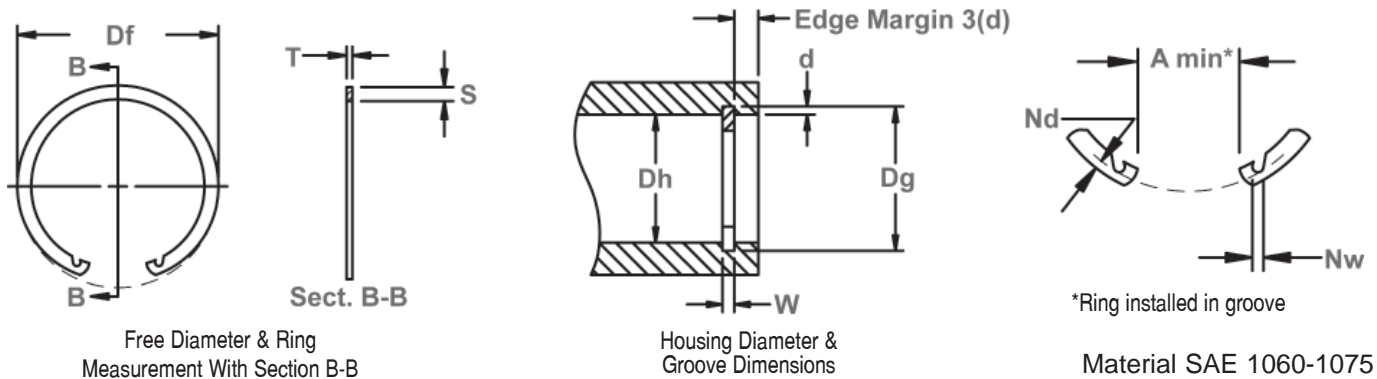
\*Installed In Groove.

Material: SAE 1060/1075 carbon spring steel

| Hardness: | Ring Size | HRc   |
|-----------|-----------|-------|
|           | 175-700   | 45-52 |
|           | 725-1000  | 40-47 |

For alternate cutoff styles, contact Rotor Clip Technical Sales at +1.732.469.7333 (E-mail: tech@rotorclip.com)





| RING SIZE | HOUSING DIAMETER |           |       | GROOVE SIZE |          |                        | RING DIMENSIONS |                        |                |            |            | ALLOWABLE STATIC THRUST LOAD (Lbs.) |        |                    |              |
|-----------|------------------|-----------|-------|-------------|----------|------------------------|-----------------|------------------------|----------------|------------|------------|-------------------------------------|--------|--------------------|--------------|
|           |                  |           |       | DIAMETER    |          | WIDTH                  | DEPTH           | FREE DIAMETER          |                | THICKNESS  | SECTION    |                                     | GAP    | NOTCH DIMENSIONS   |              |
|           | Dh DEC           | Dh FRACT. | Dh mm | Dg          | TOL.     | W                      | d               | Df                     | TOL.           | T +/--.002 | S +/--.005 |                                     | A Min* | DEPTH Nd +0/-0.030 | WIDTH Nw REF |
| UHO-362   | 3.625            | 3-5/8     | 92.1  | 3.841       | +/--.006 | .120<br>+.005<br>-.000 | .108            | 3.895                  | +.100<br>-.000 | .109       | .234       | .740                                | .120   | .125               | 19930        |
| UHO-375   | 3.740            | -         | 95.0  | 3.964       |          |                        | .112            | 4.030                  |                | .109       | .250       | .740                                | .125   | .125               | 21380        |
| UHO-375   | 3.750            | 3-3/4     | 95.2  | 3.974       |          |                        | .112            | 4.030                  |                | .109       | .250       | .780                                | .125   | .125               | 21380        |
| UHO-387   | 3.875            | 3-7/8     | 98.4  | 4.107       |          |                        | .116            | 4.165                  |                | .109       | .250       | .780                                | .125   | .125               | 22880        |
| UHO-393   | 3.938            | 3-15/16   | 100.0 | 4.174       |          |                        | .118            | 4.234                  |                | .109       | .250       | .810                                | .125   | .125               | 23650        |
| UHO-400   | 4.000            | 4         | 101.6 | 4.240       |          |                        | .120            | 4.300                  |                | .109       | .250       | .810                                | .125   | .125               | 24430        |
| UHO-412   | 4.125            | 4-1/8     | 104.8 | 4.365       |          |                        | .120            | 4.430                  |                | .109       | .250       | .810                                | .125   | .125               | 25190        |
| UHO-425   | 4.250            | 4-1/4     | 108.0 | 4.490       |          |                        | .120            | 4.555                  |                | .109       | .250       | .810                                | .125   | .125               | 25960        |
| UHO-433   | 4.331            | -         | 110.0 | 4.571       |          |                        | .120            | 4.641                  |                | .109       | .250       | .810                                | .125   | .125               | 26450        |
| UHO-450   | 4.500            | 4-1/2     | 114.3 | 4.740       |          |                        | .120            | 4.815                  |                | .109       | .281       | .840                                | .140   | .156               | 27490        |
| UHO-462   | 4.625            | 4-5/8     | 117.5 | 4.865       |          |                        | .120            | 4.940                  |                | .109       | .281       | .840                                | .140   | .156               | 28250        |
| UHO-475   | 4.724            | -         | 120.0 | 4.969       |          |                        | .122            | 5.070                  |                | .109       | .281       | .840                                | .140   | .156               | 29000        |
| UHO-475   | 4.750            | 4-3/4     | 120.6 | 4.995       |          |                        | .122            | 5.070                  |                | .109       | .281       | .910                                | .140   | .156               | 29000        |
| UHO-500   | 5.000            | 5         | 127.0 | 5.260       |          |                        | .130            | 5.340                  |                | .109       | .281       | .930                                | .140   | .156               | 33100        |
| UHO-525   | 5.250            | 5-1/4     | 133.3 | 5.520       |          |                        | +/--.007        | .139<br>+.006<br>-.000 |                | .135       | 5.600      | +.120<br>-.000                      | .125   | .312               | 1.000        |
| UHO-537   | 5.375            | 5-3/8     | 136.5 | 5.650       | .135     | 5.735                  |                 |                        | .125           | .312       | 1.000      |                                     | .156   | .156               | 36930        |
| UHO-550   | 5.500            | 5-1/2     | 139.7 | 5.770       | .135     | 5.860                  |                 |                        | .125           | .312       | 1.000      |                                     | .156   | .156               | 37790        |
| UHO-575   | 5.750            | 5-3/4     | 146.0 | 6.020       | .135     | 6.120                  |                 |                        | .125           | .312       | 1.000      |                                     | .156   | .156               | 39500        |
| UHO-600   | 6.000            | 6         | 152.4 | 6.270       | .135     | 6.380                  |                 |                        | .125           | .312       | 1.000      |                                     | .156   | .156               | 41220        |
| UHO-625   | 6.250            | 6-1/4     | 158.7 | 6.530       | .140     | 6.640                  |                 |                        | .156           | .343       | 1.030      |                                     | .171   | .156               | 44530        |
| UHO-650   | 6.500            | 6-1/2     | 165.1 | 6.790       | .145     | 6.905                  |                 |                        | .156           | .343       | 1.090      |                                     | .171   | .156               | 47970        |
| UHO-662   | 6.625            | 6-5/8     | 168.3 | 6.925       | .150     | 7.045                  |                 |                        | .156           | .343       | 1.120      |                                     | .171   | .156               | 50580        |
| UHO-675   | 6.750            | 6-3/4     | 171.4 | 7.055       | .152     | 7.180                  |                 |                        | .156           | .343       | 1.130      |                                     | .171   | .156               | 52220        |
| UHO-700   | 7.000            | 7         | 177.8 | 7.315       | .157     | 7.445                  |                 |                        | .156           | .343       | 1.140      |                                     | .171   | .156               | 55930        |
| UHO-725   | 7.250            | 7-1/4     | 184.1 | 7.575       | .162     | 7.705                  |                 |                        | .187           | .375       | 1.140      |                                     | .187   | .187               | 59700        |
| UHO-750   | 7.500            | 7-1/2     | 190.5 | 7.840       | .170     | 7.975                  |                 |                        | .187           | .375       | 1.150      |                                     | .187   | .187               | 64900        |
| UHO-775   | 7.750            | 7-3/4     | 196.8 | 8.100       | .175     | 8.240                  |                 |                        | .187           | .375       | 1.160      |                                     | .187   | .187               | 68700        |
| UHO-800   | 8.000            | 8         | 203.2 | 8.360       | .180     | 8.505                  |                 |                        | .187           | .437       | 1.200      |                                     | .218   | .187               | 72900        |
| UHO-825   | 8.250            | 8-1/4     | 209.5 | 8.620       | .185     | 8.770                  |                 |                        | .187           | .437       | 1.230      |                                     | .218   | .187               | 77600        |
| UHO-850   | 8.500            | 8-1/2     | 215.9 | 8.880       | .190     | 9.035                  | .187            | .437                   | 1.270          | .218       | .187       | 81800                               |        |                    |              |
| UHO-875   | 8.750            | 8-3/4     | 222.2 | 9.144       | .197     | 9.305                  | .187            | .437                   | 1.320          | .218       | .187       | 87300                               |        |                    |              |
| UHO-900   | 9.000            | 9         | 228.6 | 9.404       | .202     | 9.564                  | .187            | .437                   | 1.370          | .218       | .187       | 92400                               |        |                    |              |
| UHO-925   | 9.250            | 9-1/4     | 235.0 | 9.668       | .209     | 9.833                  | .187            | .500                   | 1.400          | .250       | .187       | 98000                               |        |                    |              |
| UHO-950   | 9.500            | 9-1/2     | 241.3 | 9.930       | .215     | 10.100                 | .187            | .500                   | 1.500          | .250       | .187       | 103900                              |        |                    |              |
| UHO-975   | 9.750            | 9-3/4     | 247.7 | 10.190      | .220     | 10.365                 | .187            | .500                   | 1.620          | .250       | .187       | 10900                               |        |                    |              |
| UHO-1000  | 10.000           | 10        | 254.0 | 10.450      | .225     | 10.630                 | .187            | .500                   | 1.750          | .250       | .187       | 114600                              |        |                    |              |

\*Installed In Groove.

For alternate cutoff styles, contact Rotor Clip Technical Sales at +1.732.469.7333 (E-mail: tech@rotorclip.com)

