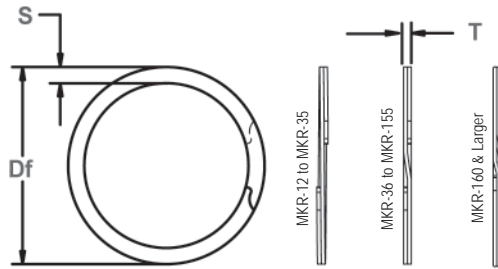




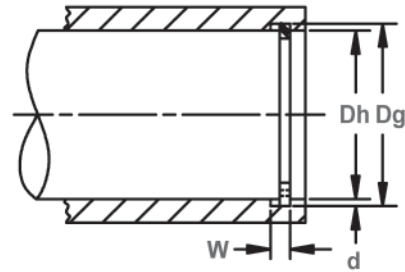
MKR Spiral Housing Rings

Internal, Medium-Heavy Duty Metric

These 2-turn and multi-turn rings provide 360° groove contact and are designed for applications with medium-high thrust loads.



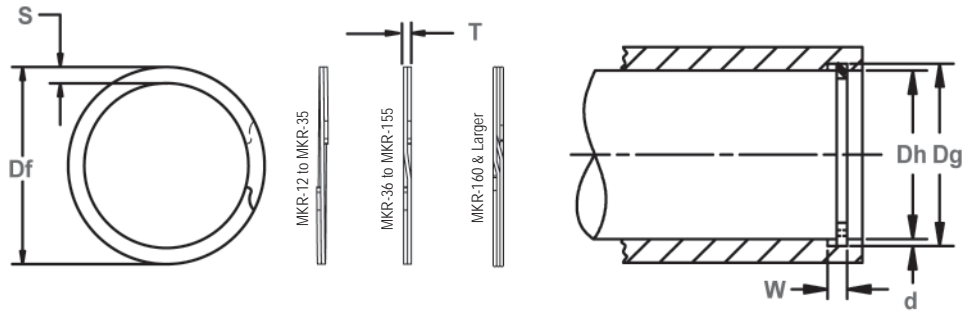
Free Diameter & Ring Measurements



Housing Diameter & Groove Dimensions

RING NO.	HOUSING DIAMETER (mm)	GROOVE SIZE				RING SIZE						THRUST LOAD (N)	
		DIAMETER		WIDTH		FREE DIAMETER		THICKNESS		SECTION		RING Safety factor of 3	GROOVE Safety factor of 2
		Dh	Dg	Tol.	W	Tol.	Df	Tol.	T	Tol.	S		
MKR-12	12	12.60		1.00		12.73		0.89		1.14		10641	929
MKR-13	13	13.60		1.00		13.73		0.89		1.14		11528	1067
MKR-14	14	14.76		1.00		14.89		0.89		1.14		12415	1555
MKR-15	15	15.86		1.00		16.01		0.89		1.14		13302	2026
MKR-16	16	16.86		1.00		17.01		0.89		1.14		14188	2275
MKR-17	17	17.90		1.00		18.05		0.89		1.40		15075	2711
MKR-18	18	18.90	+0.08	1.00	+0.08	19.05	+0.33	0.89		1.40		15962	3005
MKR-19	19	20.00	-0.08	1.00	-0.00	20.15	-0.00	0.89		1.40		16849	3700
MKR-20	20	21.06		1.17		21.21		1.07		1.65		21323	3707
MKR-21	21	22.12		1.17		22.30		1.07		1.65		22389	4352
MKR-22	22	23.16		1.17		23.34		1.07		1.65		23455	4910
MKR-23	23	24.22		1.17		24.50		1.07	+0.05	1.65		24521	5831
MKR-24	24	25.26		1.17		25.46		1.07	-0.05	1.90		25587	6398
MKR-25	25	26.40		1.17		26.60		1.07		1.90		26653	7693
MKR-26	26	27.42		1.17		27.62		1.07		1.90	+0.08	27719	8389
MKR-28	28	29.48		1.42		29.71		1.27		1.98	-0.13	32350	7734
MKR-29	29	30.52		1.42		30.77		1.27		1.98		33506	8531
MKR-30	30	31.56		1.42		31.81		1.27		2.24		34661	9422
MKR-32	32	33.80		1.42		34.05		1.27		2.50		36972	12416
MKR-33	33	34.84		1.42		35.12		1.27		2.50		38127	13561
MKR-34	34	35.88	+0.10	1.42		36.16	+0.38	1.27		2.50		39283	14638
MKR-35	35	36.90	-0.10	1.42		37.18	-0.00	1.27		2.50		40438	15603
MKR-36	36	37.90		1.42		38.18		1.27		2.50		41593	16429
MKR-37	37	39.00		1.42	+0.10	39.28		1.27		2.75		42749	18368
MKR-38	38	40.00		1.42	-0.00	40.28		1.27		2.75		43904	19289
MKR-39	39	41.06		1.42		41.37		1.27		2.75		45059	21028
MKR-40	40	42.14		1.73		42.44		1.57		3.00		57132	18286
MKR-41	41	43.24		1.73		43.54		1.57		3.00		58560	20065
MKR-42	42	44.34		1.73		44.64		1.57		3.00		59988	21951
MKR-43	43	45.36		1.73		45.69		1.57		3.00		61417	23283
MKR-44	44	46.38	+0.13	1.73		46.81	+0.50	1.57		3.00		62845	25023
MKR-45	45	47.40	-0.13	1.73		47.73	-0.00	1.57		3.00		64273	25764
MKR-47	47	49.54		1.73		49.84		1.57		3.25		67130	29617
MKR-48	48	50.54		1.73		50.90		1.57		3.25		68558	31168
MKR-50	50	52.64		1.73		53.00		1.57		3.50		71415	35192
MKR-52	52	54.84		2.18		55.22		1.98	+0.08	3.58		93667	32153
MKR-53	53	55.88		2.18		56.26		1.98	-0.08	3.58		95468	33791
MKR-55	55	57.94		2.18		58.34		1.98		3.58		99071	37098
MKR-56	56	58.94		2.18		59.34		1.98		3.58		100872	38358
MKR-58	58	61.20		2.18		61.63		1.98		4.77		104475	49567
MKR-59	59	62.22	+0.15	2.18	+0.13	62.65	+0.63	1.98		4.77		106276	47432
MKR-60	60	63.30	-0.15	2.18	-0.00	63.73	-0.00	1.98		4.77		108077	50494
MKR-61	61	64.30		2.18		64.76		1.98		4.77	+0.10	109879	52323
MKR-62	62	65.36		2.18		65.82		1.98		4.77	-0.15	111680	54926
MKR-63	63	66.40		2.18		66.86		1.98		4.77		113481	57265
MKR-64	64	67.40		2.18		67.90		1.98		4.77		115282	59331
MKR-65	65	68.50		2.62		69.00		2.36		4.77		132909	50522
MKR-66	66	69.50		2.62		70.03		2.36		4.77		134954	52189





Free Diameter & Ring Measurements

Housing Diameter & Groove Dimensions

RING NO.	HOUSING DIAMETER (mm)	GROOVE SIZE				RING SIZE						THRUST LOAD (N)	
		DIAMETER		WIDTH		FREE DIAMETER		THICKNESS		SECTION		RING Safety factor of 3	GROOVE Safety factor of 2
		Dh	Dg	Tol.	W	Tol.	Df	Tol.	T	Tol.	S		
MKR-67	67	70.60		2.62		71.13		2.36		4.77		136998	55235
MKR-68	68	71.66		2.62		72.19		2.36		4.77		139043	57735
MKR-69	69	72.74		2.62		73.27	+0.63	2.36		4.77		141088	60650
MKR-70	70	73.80		2.62		74.33	-0.00	2.36		4.77		143133	63315
MKR-71	71	74.80		2.62		75.36		2.36		4.77		145177	65251
MKR-72	72	75.86		2.62		76.42		2.36		4.77		147222	68052
MKR-75	75	79.00		2.62		79.58		2.36		4.77		153356	76340
MKR-78	78	82.26		3.05		82.95		2.82		6.35	+0.10	190578	75542
MKR-80	80	84.36		3.30		85.02		2.82		6.35	-0.15	195464	80623
MKR-82	82	86.40		3.05		87.06		2.82		6.35		200351	85092
MKR-85	85	89.58	+0.15	3.05	+0.13	90.21		2.82	+0.08	6.35		207681	94335
MKR-88	88	92.78	-0.15	3.05	-0.00	93.44	+0.76	2.82	-0.08	6.35		215011	105482
MKR-90	90	94.88		3.05		95.54	-0.00	2.82		6.35		219897	112323
MKR-92	92	97.00		3.05		97.68		2.82		6.35		224784	120232
MKR-95	95	100.20		3.05		100.88		2.82		6.35		232114	132913
MKR-98	98	103.40		3.05		104.11		2.82		6.35		239444	146909
MKR-100	100	105.40		3.05		106.11		2.82		6.35		244330	152534
MKR-102	102	107.60		3.05		108.31		2.82		6.35		249217	164421
MKR-105	105	110.60		3.05		111.34		2.82		7.92		256547	176970
MKR-108	108	113.60		3.05		114.36		2.82		7.92		263877	186814
MKR-110	110	115.74		3.05		116.50		2.82		7.92		268763	198334
MKR-112	112	117.84		3.05		118.60	+0.90	2.82		7.92		273650	208838
MKR-115	115	121.00		3.05		121.83	-0.00	2.82		7.92		280980	227125
MKR-120	120	126.20		3.05		127.04		2.82		7.92		293197	254750
MKR-125	125	131.50		3.05		132.39		2.82		7.92		305413	280507
MKR-130	130	136.70		3.05		137.61		2.82		7.92		317630	300704
MKR-135	135	141.90		3.53		142.90		3.23		9.52		377802	314888
MKR-140	140	146.90	+0.18	3.53	+0.15	147.91	+1.14	3.23	+0.10	9.52		391795	333502
MKR-145	145	151.90	-0.18	3.53	-0.00	152.97	-0.00	3.23	-0.10	9.52		405788	345412
MKR-150	150	156.90		3.53		158.02		3.23		9.52	+0.10	419780	357323
MKR-155	155	161.90		3.53		163.04		3.23		9.52	-0.20	433773	369234
MKR-160	160	167.10		4.42		168.27		4.20		7.92		582234	392192
MKR-165	165	172.36		4.42		173.55	+1.40	4.20		7.92		600429	419259
MKR-170	170	177.70		4.42		178.94	-0.00	4.20		7.92		618624	451919
MKR-175	175	182.80		4.42		184.09		4.20		7.92		636819	471252
MKR-180	180	188.00		4.42		189.30		4.20		7.92		655014	497145
MKR-185	185	193.24	+0.20	5.30	+0.20	194.59		4.80	+0.13	9.52		769381	526283
MKR-190	190	198.64	-0.20	5.30	-0.00	200.04		4.80	-0.13	9.52		790175	566745
MKR-195	195	203.74		5.30		205.14		4.80		9.52		810969	588392
MKR-200	200	208.90		5.30		210.37		4.80		9.52		831763	614527
MKR-210	210	219.40		5.30		220.92	+1.78	4.80		9.52		873351	681503
MKR-220	220	229.90		5.30		231.52	-0.00	4.80		9.52		914940	751932
MKR-230	230	240.20		5.30		241.90		4.80		9.52		956528	809932
MKR-240	240	250.90		5.30		252.65		4.80		9.52		998116	903147
MKR-250	250	260.90		5.30		262.70		4.80		9.52		1039704	940778
MKR-260	260	271.40		5.30		273.20		4.80		9.52		1081292	1023290
MKR-270	270	281.40		5.30		283.20		4.80		9.52		1122880	1062648
MKR-280	280	291.40		5.30		293.30		4.80		9.52		1164468	1102005