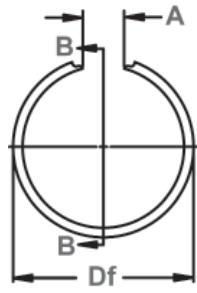




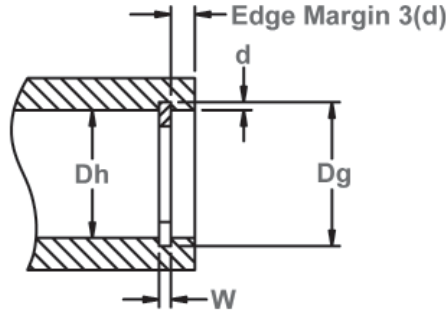
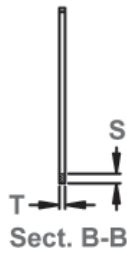
HBL/HBM/HBH Constant Section

Snap Ring, Internal, Metric Designed for SAE Standard Metric Bearings.

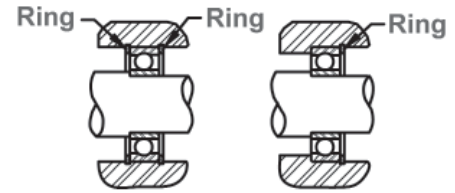
Once installed in the groove of a housing/bore the portion of the ring protruding from the groove holds an assembly in place.



Free Diameter & Ring
Measurement with Section B-B



Housing Diameter &
Groove Dimensions



Ring Depicted retaining outer race of bearing in two directions (left) and in one direction (right).

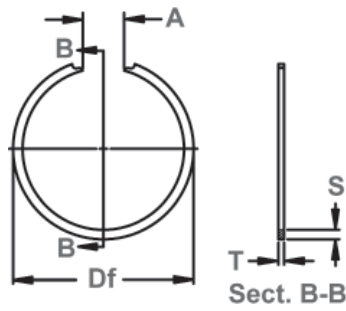
Material: SAE 1060-1075

RING NUMBER	BEARING NUMBER			HOUSING DIAMETER		GROOVE SIZE					RING DIMENSIONS					GAP AT MIN. FREE O.D.
						DIAMETER		WIDTH		DEPTH	FREE DIAMETER		THICKNESS	SECTION		
	LIGHT	MED.	HEAVY	Dh DEC	Dh mm	Dg	TOL.	W	TOL.	d	Df	TOL.	T ±.002	S	TOL.	
HBL-30	200			1.1811	29.93	1.243	±.005	.035		.031	1.265	+.031 -.000	.031	.100	±.003	.375 +.080 -.000
HBM-30			1.1811	29.93	1.253	.046		.036		1.265	.042		.125	±.005		
HBH-30			1.1811	29.93	1.251	.068		.035		1.271	.062		.109	±.003		
HBL-32	201			1.2598	31.93	1.321	.035	.031	1.349	.031	.100	±.005				
HBM-32			1.2598	31.93	1.331	.046	.036	1.343	.042	.125	±.005					
HBH-32			1.2598	31.93	1.329	.068	.035	1.365	.062	.109	±.003					
HBL-35	202			1.3780	34.92	1.440	.035	.031	1.468	.031	.100	±.005				
HBM-35		300	1.3780	34.92	1.450	.046	.036	1.468	.042	.125	±.005					
HBH-35			1.3780	34.92	1.458	.068	.040	1.486	.062	.140	±.005					
HBL-37				1.4567	36.92	1.518	±.005	.035		.031	1.546		.031	.100	±.003	
HBM-37		301	1.4567	36.92	1.528	.046		.036		1.546	.042		.125	±.005		
HBH-37			1.4567	36.92	1.536	.068		.040		1.564	.062		.140		±.005	
HBL-40	203			1.5748	39.91	1.654	±.005	.046		.040	1.687	+.046 -.000	.042		.125	±.005
HBM-40			1.5748	39.91	1.668	.046		.047		1.703	.042		.156	±.005		
HBH-40			1.5748	39.91	1.668	.068		.047		1.703	.062		.156		±.005	
HBL-42				1.6535	41.90	1.733	±.005	.046		.040	1.765		.042		.125	±.005
HBM-42		302	1.6535	41.90	1.747	.046		.047		1.781	.042		.156	±.005		
HBH-42			1.6535	41.90	1.747	.062		.047		1.781	.062		.156		±.005	
HBL-47	204			1.8504	46.89	1.930	±.005	.046		.040	1.968	+.062 -.000	.042		.125	±.005
HBM-47		303	1.8504	46.89	1.944	.046		.047		1.968	.042		.156	±.005		
HBH-47			1.8504	46.89	1.951	.068		.050		1.976	.062		.172		±.005	
HBL-52	205			2.0472	51.88	2.137	±.005	.046	+.004 -.000	.045	2.171		.042		.156	±.005
HBM-52		304	2.0472	51.88	2.141	.046		.047		2.171	.042		.156	±.005		
HBH-52			2.0472	51.88	2.148	.068		.050		2.179	.062		.172		±.005	
HBL-62	206			2.4409	61.86	2.530	±.006	.068		.045	2.562		.062		.156	±.005
HBM-62		305	2.4409	61.86	2.544	.068		.052		2.562	.062		.156	±.005		
HBH-62		403	2.4409	61.86	2.565	.103		.062		2.593	.093		.187		±.005	
HBL-72	207			2.8346	71.83	2.934	±.006	.068		.050	2.968		.062		.156	±.005
HBM-72		306	2.8346	71.83	2.959	.068		.062		2.984	.062		.187	±.005		
HBH-72		404	2.8346	71.83	2.959	.103		.062		3.000	.093		.187		±.005	
HBL-80	208			3.1496	79.82	3.249	±.006	.068		.050	3.281	+.062 -.000	.062		.156	±.005
HBM-80		307	3.1496	79.82	3.274	.068		.062		3.296	.062		.187	±.005		
HBH-80		405	3.1496	79.82	3.274	.103		.062		3.312	.093		.218		±.005	
HBL-85	209			3.3465	84.81	3.446	±.006	.068		.050	3.484		.062		.156	±.005
HBM-85			3.3465	84.81	3.471	.068		.062		3.500	.062		.187	±.005		
HBH-85			3.3465	84.81	3.471	.103		.062		3.500	.093		.218		±.005	

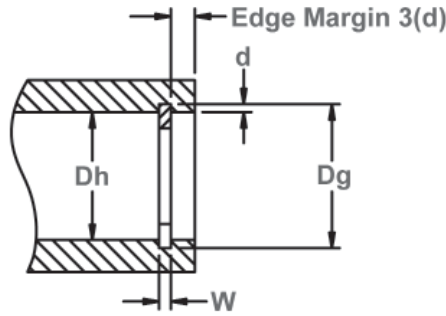
Hardness: All Ring Sizes - HRC 42-52

For alternate cutoff styles, contact Rotor Clip Technical Sales at +1.732.469.7333 (E-mail: tech@rotorclip.com)

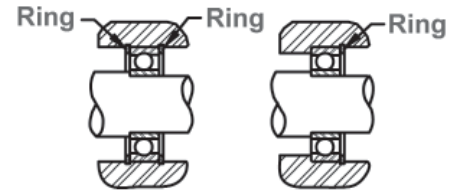




Free Diameter & Ring
Measurement with Section B-B



Housing Diameter &
Groove Dimensions



Ring Depicted retaining outer race of bearing in two directions (left) and in one direction (right).

Material: SAE 1060-1075

RING NUMBER	BEARING NUMBER			HOUSING DIAMETER		GROOVE SIZE						RING DIMENSIONS				GAP AT MIN. FREE O.D.		
						DIAMETER		WIDTH		DEPTH	FREE DIAMETER		THICKNESS	SECTION				
	LIGHT	MED.	HEAVY	Dh DEC	Dh mm	Dg	TOL.	W	TOL.	d	Df	TOL.	T ±.002	S	TOL.			
HBL-90	210			3.5433	89.79	3.643		.103		.050	3.687		.093	.156	.687 +.093 -.000			
HBM-90		308		3.5433	89.79	3.668		.103		.062	3.703		.093	.187				
HBH-90			406	3.5433	89.79	3.713		.139		.085	3.750		.125	.250				
HBL-100	211			3.9370	100.00	4.062	±.006	.103		.062	4.093	+.093 -.000	.093	.187				
HBM-100		309		3.9370	100.00	4.107		.103		.085	4.140		.093	.250				
HBH-100			407	3.9370	100.00	4.107	.139		.085	4.140	.125	.250						
HBL-110	212			4.3307	110.00	4.455	.103		.062	4.500	+.093 -.000	.093	.187					
HBM-110		310		4.3307	110.00	4.500	.103		.085	4.531		.093	.250					
HBH-110			408	4.3307	110.00	4.500	.139		.085	4.531	.125	.250						
HBL-120	213			4.7244	120.00	4.884	±.007	.120		.080	4.937	+.125 -.000	.109	.250				
HBM-120		311		4.7244	120.00	4.912		.120		.094	4.953		.109	.281				
HBH-120			409	4.7244	120.00	4.894		.139		.085	4.937		.125	.250				
HBL-125	214			4.9213	125.00	5.081		±.004 -.000	.120		.080		5.125	+.005	.109	.250		
HBM-125				4.9213	125.00	5.109			.120		.094		5.156		.109	.281		
HBH-125				4.9213	125.00	5.121		.174		.100	5.151		.156	.312				
HBL-130	215			5.1181	130.00	5.278		±.007	.120		.080		5.312	+.125 -.000	.109	.250		
HBM-130		312		5.1181	130.00	5.306			.120		.094		5.343		.109	.281		
HBH-130			410	5.1181	130.00	5.318			.174		.100		5.355		.156	.312		
HBL-140	216			5.5118	140.00	5.671			±.008	.120			.080		5.703	+.187 -.000	.109	.250
HBM-140		313		5.5118	140.00	5.699				.120			.094		5.750		.109	.281
HBH-140			411	5.5118	140.00	5.711			.174		.100		5.750		.156	.312		
HBL-150	217			5.9055	150.00	6.065	±.008		.120		.080	6.093	+.187 -.000		.109	.250		
HBM-150		314		5.9055	150.00	6.093			.120		.094	6.125			.109	.281		
HBH-150			412	5.9055	150.00	6.105			.174		.100	6.156			.156	.312		
HBL-160	218			6.2992	160.00	6.459			±.008	.120		.080			6.500	+.187 -.000	.109	.250
HBM-160		315		6.2992	160.00	6.497				.120		.094			6.550		.109	.281
HBH-160			413	6.2992	160.00	6.500			.174		.100	6.550			.156	.312		
HBL-170	219			6.6929	170.00	6.892		±.008	.139		.100	6.937		+.187 -.000	.125	.312		
HBM-170		316		6.6929	170.00	6.942			.139		.125	6.982			.125	.375		
HBH-170				6.6929	170.00	6.892			.174		.100	6.937			.156	.312		
HBL-180	220			7.0866	180.00	7.286			±.008	.139		.100			7.343	+.187 -.000	.125	.312
HBM-180		317		7.0866	180.00	7.336				.139		.125			7.380		.125	.375
HBH-180			414	7.0866	180.00	7.336			.209		.125	7.381			.187	.375		
HBL-190	221			7.4803	190.00	7.680	±.008		.139		.100	7.718	+.187 -.000		.125	.312		
HBM-190		318		7.4803	190.00	7.730			.139		.125	7.781			.125	.375		
HBH-190				7.4803	190.00	7.730			.209		.125	7.782			.187	.375		
HBL-200	222			7.8740	200.00	8.074			±.008	.139		.100			8.125	+.187 -.000	.125	.312
HBM-200		319		7.8740	200.00	8.125				.139		.125			8.187		.125	.375
HBH-200			416	7.8740	200.00	8.125				.209		.125			8.187		.187	.375

Hardness: All Ring Sizes - HRC 42-52

For alternate cutoff styles, contact Rotor Clip Technical Sales at +1.732.469.7333 (E-mail: tech@rotorclip.com)

