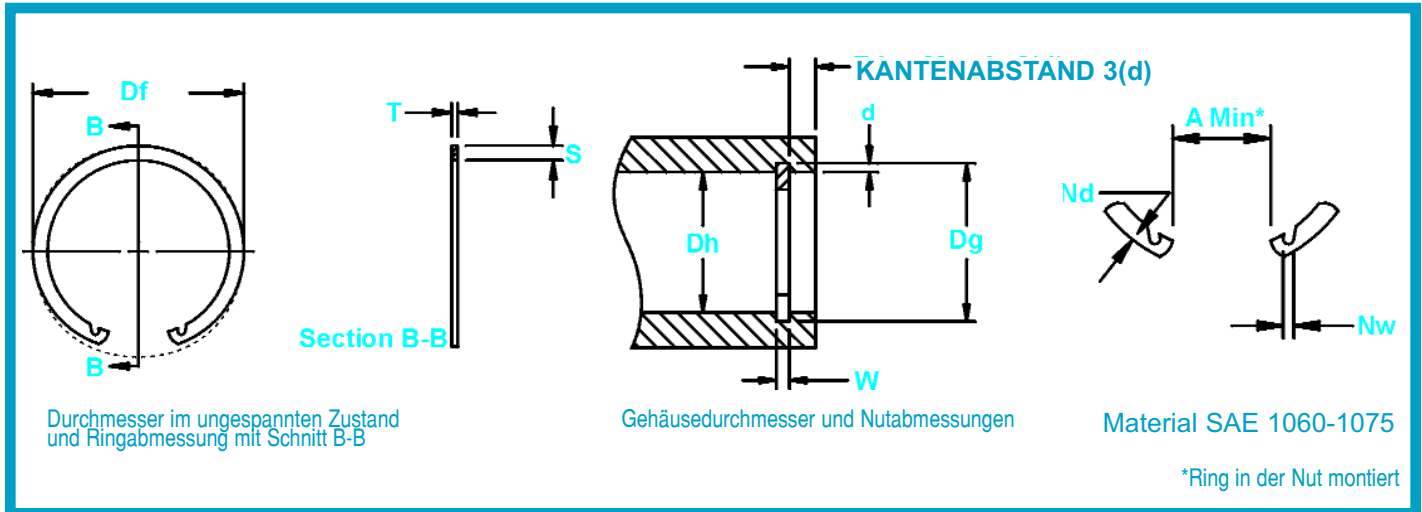




UHO Sprengringe



RING GRÖßE	GEHÄUSEDURCHMESSER			NUTGRÖßE			RINGABMESSUNG					ZULÄSSIGE AXIAL-BELASTUNG (Lbs.)											
	Dh DEZ	Dh BRUCH	Dh mm	DURCHMESSER		BREITE W	TIEFE d	LICHTER DURCHM. Df	TOL.	DICKE T +/- .002	Radiale Breite S +/- .005		SPALT A Min*	ABMESSUNG DER AUSKLINKUNG									
				Dg	TOL.									TIEFE Nd +/- .030	BREITE Nw REF								
UHO-175	1.750	1-3/4	44.4	1.858	+/- .005	.068	.054	1.878	+ .070	.062	.156	.370	.078	.093	4100								
UHO-181	1.812	1-13/16	46.0	1.922												.055	1.942	.062	.156	.370	.078	.093	4280
UHO-185	1.850	-	47.0	1.962												.056	1.982	.062	.156	.370	.078	.093	4380
UHO-187	1.875	1-7/8	47.6	1.989												.057	2.014	.062	.156	.400	.078	.093	4650
UHO-193	1.938	1-15/16	49.2	2.056												.059	2.081	.062	.156	.400	.078	.093	5000
UHO-200	2.000	2	50.8	2.122												.061	2.147	.062	.156	.420	.078	.093	5350
UHO-206	2.047	-	52.0	2.171												.062	2.201	.078	.171	.420	.085	.093	6490
UHO-206	2.062	2-1/16	52.4	2.186												.062	2.201	.078	.171	.450	.085	.093	6490
UHO-212	2.125	2-1/8	54.0	2.251												.063	2.271	.078	.171	.450	.085	.093	6810
UHO-218	2.165	-	55.0	2.295												.065	2.338	.078	.171	.430	.085	.093	7240
UHO-218	2.188	2-3/16	55.6	2.318	.065	2.338	.078	.171	.470	.085	.093	7240											
UHO-225	2.250	2-1/4	57.1	2.382	.066	2.402	.078	.171	.450	.085	.093	7560											
UHO-231	2.312	2-5/16	58.7	2.450	.069	2.470	.078	.171	.450	.085	.093	8120											
UHO-237	2.375	2-3/8	60.3	2.517	.071	2.537	.078	.188	.470	.093	.093	8580											
UHO-244	2.440	2-7/16	62.0	2.584	.072	2.604	.078	.188	.470	.093	.093	8940											
UHO-250	2.500	2-1/2	63.5	2.648	.074	2.673	.078	.188	.470	.093	.093	9410											
UHO-253	2.531	2-17/32	64.3	2.681	.075	2.706	.078	.188	.470	.093	.093	9660											
UHO-256	2.562	2-9/16	65.1	2.714	.076	2.739	.093	.188	.530	.093	.093	9910											
UHO-262	2.625	2-5/8	66.7	2.781	.078	2.806	.093	.188	.530	.093	.093	10420											
UHO-268	2.677	-	68.0	2.837	.08	2.868	.093	.188	.530	.093	.093	10900											
UHO-268	2.688	2-11/16	68.3	2.848	.08	2.868	.093	.188	.560	.093	.093	10900											
UHO-275	2.750	2-3/4	69.8	2.914	.082	2.944	.093	.188	.590	.093	.093	11470											
UHO-281	2.812	2-13/16	71.4	2.980	.084	3.025	.093	.188	.590	.093	.093	12200											
UHO-281	2.835	3-1/4	72.0	3.005	.085	3.025	.093	.188	.660	.093	.093	12200											
UHO-287	2.875	2-7/8	73.0	3.051	.088	3.086	.093	.203	.620	.100	.093	12870											
UHO-295	2.953	-	75.0	3.135	.091	3.175	.093	.203	.620	.100	.093	13480											
UHO-300	3.000	3	76.2	3.182	.091	3.222	.093	.203	.620	.100	.093	13890											
UHO-306	3.062	3-1/16	77.8	3.248	.093	3.288	.109	.218	.650	.109	.125	14490											
UHO-312	3.125	3-1/8	79.4	3.315	.095	3.353	.109	.218	.650	.109	.125	15110											
UHO-315	3.149	-	80.0	3.341	.096	3.388	.109	.218	.650	.109	.125	15420											
UHO-315	3.156	3-5/32	80.2	3.348	.096	3.388	.109	.218	.680	.109	.125	15420											
UHO-325	3.250	3-1/4	82.5	3.446	.098	3.488	.109	.218	.680	.109	.125	16210											
UHO-334	3.346	3-11/32	85.0	3.546	.1	3.590	.109	.218	.680	.109	.125	17030											
UHO-347	3.469	3-15/32	88.1	3.675	.103	3.721	.109	.234	.710	.120	.125	18190											
UHO-350	3.500	3-1/2	88.9	3.710	.105	3.760	.109	.234	.710	.120	.125	18700											
UHO-354	3.543	-	90.0	3.755	.106	3.805	.109	.234	.740	.120	.125	19400											
UHO-354	3.562	3-9/16	90.5	3.776	.107	3.805	.109	.234	.810	.120	.125	19400											

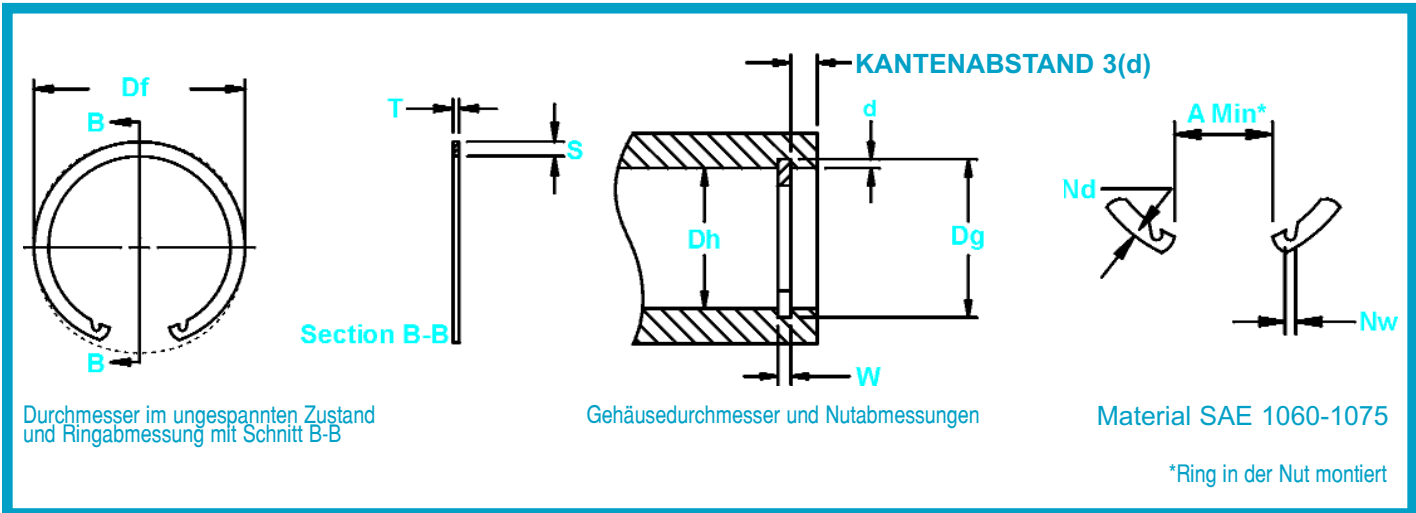
*In der Nut entspannt.

Härtebereich:
Jegliche Ringgrößen HRC 42-52

Für alternative Ausführungen der Ringenden wenden Sie sich bitte an unseren technischen Verkauf unter:

rcgmbh@rotorclip.com

Für Bohrungen, mit Ausklinkung



RING GRÖßE	GEHÄUSEDURCHMESSER			NUTGRÖßE				RINGABMESSUNG					ZULÄSSIGE AXIAL-BELASTUNG (Lbs.)											
	Dh DEZ	Dh BRUCH	Dh mm	DURCHMESSER		TIEFE	LICHTER DURCHM.		DICKE T	Radiale Breite S	SPALT A Min*	ABMESSUNG DER AUSKLINKUNG												
				Dg	TOL.		W	d				Df		TOL.	DEPTH Nd +0/- .030	WIDTH Nw REF								
UHO-362	3.625	3-5/8	92.1	3.841	+/- .006	.120	+ .005	.108	3.895	+ .100	.109	.234	.740	.120	.125	19930								
UHO-375	3.740	-	95.0	3.964													.112	4.030	.109	.250	.740	.125	.125	21380
UHO-375	3.750	3-3/4	95.2	3.974													.112	4.030	.109	.250	.780	.125	.125	21380
UHO-387	3.875	3-7/8	98.4	4.107													.116	4.165	.109	.250	.780	.125	.125	22880
UHO-393	3.938	3-15/16	100.0	4.174													.118	4.234	.109	.250	.810	.125	.125	23650
UHO-400	4.000	4	101.6	4.240													.12	4.300	.109	.250	.810	.125	.125	24430
UHO-412	4.125	4-1/8	104.8	4.365													.12	4.430	.109	.250	.810	.125	.125	25190
UHO-425	4.250	4-1/4	108.0	4.490													.12	4.555	.109	.250	.810	.125	.125	25960
UHO-433	4.331	-	110.0	4.571													.12	4.641	.109	.25	.810	.125	.125	26450
UHO-450	4.500	4-1/2	114.3	4.740													.12	4.815	.109	.281	.840	.140	.156	27490
UHO-462	4.625	4-5/8	117.5	4.865	.120	4.940	.109	.281	.840	.140	.156	28250												
UHO-475	4.724	-	120.0	4.969	.122	5.070	.109	.281	.840	.140	.156	29000												
UHO-475	4.750	4-3/4	120.6	4.995	.122	5.070	.109	.281	.910	.140	.156	29000												
UHO-500	5.000	5	127.0	5.260	.130	5.340	.109	.281	.930	.140	.156	33100												
UHO-525	5.250	5-1/4	133.3	5.520	.135	5.600	.125	.312	1.000	.156	.156	36070												
UHO-537	5.375	5-3/8	136.5	5.650	.135	5.735	.125	.312	1.000	.156	.156	36930												
UHO-550	5.500	5-1/2	139.7	5.770	.135	5.860	.125	.312	1.000	.156	.156	37790												
UHO-575	5.750	5-3/4	146.0	6.020	.135	6.120	.125	.312	1.000	.156	.156	39500												
UHO-600	6.000	6	152.4	6.270	.135	6.380	.125	.312	1.000	.156	.156	41220												
UHO-625	6.250	6-1/4	158.7	6.530	.140	6.640	.156	.343	1.030	.171	.156	44530												
UHO-650	6.500	6-1/2	165.1	6.790	.145	6.905	.156	.343	1.090	.171	.156	47970												
UHO-662	6.625	6-5/8	168.3	6.925	.150	7.045	.156	.343	1.120	.171	.156	50580												
UHO-675	6.750	6-3/4	171.4	7.055	.152	7.180	.156	.343	1.130	.171	.156	52220												
UHO-700	7.000	7	177.8	7.315	.157	7.445	.156	.343	1.140	.171	.156	55930												
UHO-725	7.250	7-1/4	184.1	7.575	.162	7.705	.187	.375	1.140	.187	.187	59700												
UHO-750	7.500	7-1/2	190.5	7.840	.170	7.975	.187	.375	1.150	.187	.187	64900												
UHO-775	7.750	7-3/4	196.8	8.100	.175	8.240	.187	.375	1.160	.187	.187	68700												
UHO-800	8.000	8	203.2	8.360	.180	8.505	.187	.437	1.200	.218	.187	72900												
UHO-825	8.250	8-1/4	209.5	8.620	.185	8.770	.187	.437	1.230	.218	.187	77600												
UHO-850	8.500	8-1/2	215.9	8.880	.190	9.035	.187	.437	1.270	.218	.187	81800												
UHO-875	8.750	8-3/4	222.2	9.144	.197	9.305	.187	.437	1.320	.218	.187	87300												
UHO-900	9.000	9	228.6	9.404	.202	9.564	.187	.437	1.370	.218	.187	92400												
UHO-925	9.250	9-1/4	235.0	9.668	.209	9.833	.187	.500	1.400	.250	.187	98000												
UHO-950	9.500	9-1/2	241.3	9.930	.215	10.100	.187	.500	1.500	.250	.187	103900												
UHO-975	9.750	9-3/4	247.7	10.190	.22	10.365	.187	.500	1.620	.250	.187	10900												
UHO-1000	10.000	10	254.0	10.450	.225	10.630	.187	.500	1.750	.250	.187	114600												

*In der Nut entspannt.

Für alternative Ausführungen der Ringenden wenden Sie sich bitte an unseren technischen Verkauf unter:

rcgmbh@rotorclip.com