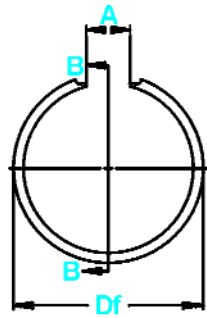
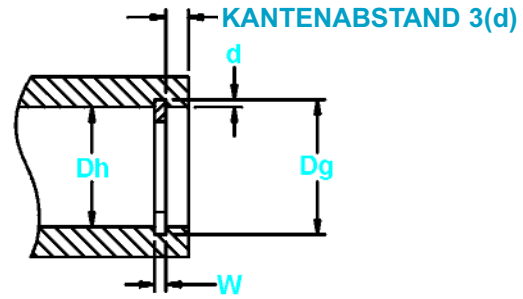


UHB Sprengringe



Sect. B-B

Durchmesser im ungespannten Zustand und Ringabmessung mit Schnitt B-B



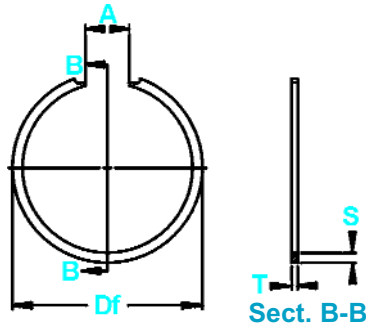
Gehäusedurchmesser und Nutabmessungen

Material SAE 1060-1075

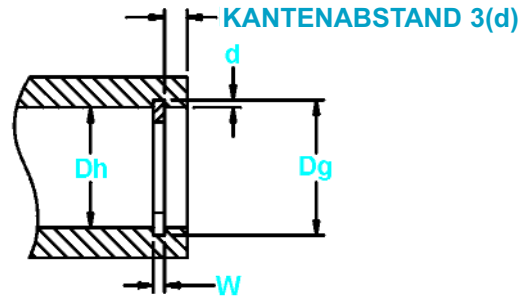
RING GRÖÖE	WELLENDURCHMESSER			NUTGRÖÖE			RINGABMESSUNGEN						Spaltbreite im ungespannten Zustand		ZULÄSSIGE AXIAL-BELASTUNG (Lbs.)	
	Dh DEZ	Dh BRUCH	Dh mm	DURCHMESSER		TIEFE	LICHTER DURCHM.		DÜCKE	Radiale Breite		A Min A Max				
				Dg	TOL.		W	d		Df	TOL.			± .002		S
UHB-37	.375	3/8	9.5	0.395	+/- .003	.028	.010	0.400	+.031	.025	.035	+/- .003	.125	.218	250	
UHB-43	.438	7/16	11.1	0.462		+.003	-.012	0.467	-.000	.025	.035		.125	.218	300	
UHB-50	.500	1/2	12.7	0.524		-.039	.012	0.542	+.025	.035	.040		.187	.344	470	
UHB-51	.512		13.0	0.536		-.000	.014	0.600		-.000	.035		.048	.187	.344	510
UHB-56	.562	9/16	14.3	0.590			.016	0.670			.035		.048	.187	.344	620
UHB-62	.625	5/8	15.9	0.657			.018	0.799			.035		.048	.187	.344	700
UHB-68	.688	11/16	17.5	0.720			.018	0.827			.042		.062	.187	.344	750
UHB-75	.750	3/4	19.1	0.786			.020	0.867			.042		.062	.187	.344	1020
UHB-77	.777		19.7	0.813			.022	0.934			.042		.062	.187	.344	1090
UHB-81	.812	13/16	20.6	0.852			.022	0.961			.042		.078	.281	.438	1130
UHB-87	.875	7/8	22.2	0.919		.024	1.003			.042	.078	.281	.438	1260		
UHB-90	.901		22.9	0.945		.024	1.070			.042	.078	.281	.438	1360		
UHB-93	.938	15/16	23.8	0.986		.026	1.094		.042	.093	.281	.438	1470			
UHB-100	1.000	1	25.4	1.052	+/- .005	.026	1.134	+.031	.050	.093	.281	.438	1500			
UHB-102	1.023		26.0	1.075		-.031	-.000		.026	1.134	-.000	.050	.093	.281	.438	1780
UHB-106	1.062	1-1/16	27.0	1.114			.028		1.202		.050	.093	.375	.562	1880	
UHB-112	1.125	1-1/8	28.6	1.181			.030		1.270		.050	.093	.375	.562	1990	
UHB-118	1.188	1-3/16	30.2	1.248			.032		1.337		.050	.109	.375	.562	2090	
UHB-125	1.250	1-1/4	31.8	1.314			.034		1.404		.050	.109	.375	.562	2200	
UHB-131	1.312	1-5/16	33.3	1.380			.036		1.472		.050	.109	.375	.562	2300	
UHB-137	1.375	1-3/8	34.9	1.447			.036		1.535		.050	.125	.375	.562	2460	
UHB-143	1.438	1-7/16	36.5	1.510			.038		1.557		.050	.125	.375	.562	2490	
UHB-145	1.456	-	36.1	1.532			.038		1.607		.050	.125	.375	.562	2560	
UHB-150	1.500	1-1/2	38.1	1.576		.040	1.668		.062	.125	.437	.687	3060			
UHB-156	1.562	1-9/16	39.7	1.642		.042	1.736		.062	.141	.437	.687	3190			
UHB-162	1.625	1-5/8	41.3	1.709		.042	1.765		.062	.141	.437	.687	3240			
UHB-165	1.653	-	42.0	1.737		.044	1.804		.062	.156	.437	.687	3370			
UHB-168	1.688	1-11/16	42.9	1.776		.046	1.870		.062	.156	.437	.687	3510			
UHB-175	1.750	1-3/4	44.4	1.842		.046	1.933		.062	.156	.437	.687	3640			
UHB-181	1.812	1-13/16	46.0	1.904		.048	1.975		.062	.156	.437	.687	3710			
UHB-185	1.850	-	47.0	1.946		.048	2.000		.062	.156	.437	.687	3760			
UHB-187	1.875	1-7/8	47.6	1.971		.050	2.068		.062	.156	.500	.750	3870			
UHB-193	1.938	1-15/16	49.2	2.038		.050	2.098		.062	.156	.500	.750	3935			
UHB-196	1.968	1-31/32	50.0	2.068		.050	2.131		.062	.156	.500	.750	4000			
UHB-200	2.000	2	50.8	2.100		.052	2.197	+.046	.062	.156	.500	.750	4380			
UHB-206	2.062	2-1/16	52.4	2.166		.052	2.260		-.000	.078	.156	.500	.750	5140		
UHB-212	2.125	2-1/8	54.0	2.229		.054	2.331				.078	.171	.500	.750	5470	
UHB-218	2.188	2-3/16	55.6	2.296		.054	2.393				.078	.171	.500	.750	5630	
UHB-225	2.250	2-1/4	57.1	2.358		.056	2.459				.078	.171	.500	.750	5790	
UHB-231	2.312	2-5/16	58.7	2.424		.056	2.523				.078	.171	.500	.750	5950	
UHB-237	2.375	2-3/8	60.3	2.487		.058	2.592				.078	.187	.500	.750	6270	
UHB-244	2.440	2-7/16	62.0	2.556	+/- .006	.058	2.653				.078	.187	.500	.750	6350	
UHB-250	2.500	2-1/2	63.5	2.616			.060			2.688		.078	.187	.500	.750	6510
UHB-253	2.531	2-17/32	64.3	2.651			.062			2.726		.093	.187	.562	.812	8400
UHB-256	2.562	2-9/16	65.1	2.686			.062	2.790			.093	.187	.562	.812	8650	
UHB-262	2.625	2-5/8	66.7	2.750			.062	2.856		.093	.187	.562	.812	8800		
UHB-268	2.688	2-11/16	68.3	2.816			.064	2.882		.093	.187	.562	.812	8875		
UHB-271	2.717	-	68.8	2.842			.064	2.918	+.062	.093	.187	.562	.812	8950		
UHB-275	2.750	2-3/4	69.8	2.878			.066	2.945		-.000	.093	.187	.625	.875	9100	
UHB-281	2.812	2-13/16	71.4	2.945			.066	3.006				.093	.187	.625	.875	9250
UHB-283	2.835	-	72.0	2.966												



Für Bohrungen



Durchmesser im ungespannten Zustand und Ringabmessung mit Schnitt B-B



Gehäusedurchmesser und Nutabmessungen

Material SAE 1060-1075

RING GRÖÖE	GEHÄUSEDURCHMESSER			NUTGRÖÖE			RINGABMESSUNGEN					ZULÄSSIGE AXIAL-BELASTUNG (Lbs.)			
	Dh DEZ	Dh BRUCH	Dh mm	DURCHMESSER		TIEFE	LICHTER DURCHM.		DICKE T ±.002	Radiale Breite				Spaltbreite im ungespannten Zustand	
				Dg	TOL.		W	d		Df	TOL.			S	TOL.
UHB-287	2.875	2-7/8	73.0	3.011		.103 +.005	.068	3.056		.093	.187		.625	.875	9400
UHB-300	3.000	3	76.2	3.136		-.000	.068	3.181	+.062	.093	.187		.625	.875	9550
UHB-306	3.062	3-1/16	77.8	3.202			.070	3.247	-.000	.109	.218		.625	.875	10470
UHB-312	3.125	3-1/8	79.4	3.265			.070	3.311		.109	.218		.625	.875	10690
UHB-315	3.156	3-5/32	80.2	3.296			.070	3.342		.109	.218		.625	.875	10800
UHB-325	3.250	3-1/4	82.5	3.394		.120	.072	3.442		.109	.218		.718	1.062	11120
UHB-334	3.346	3-11/32	85.0	3.490		+.006	.072	3.539		.109	.218		.718	1.062	11450
UHB-346	3.469	3-15/32	88.1	3.613		-.000	.072	3.663		.109	.218		.718	1.062	11870
UHB-350	3.500	3-1/2	88.9	3.648			.074	3.700		.109	.250		.718	1.062	11970
UHB-354	3.543	-	90.0	3.691			.074	3.745		.109	.250		.718	1.062	12120
UHB-356	3.562	3-9/16	90.5	3.710	+/- .006		.074	3.766	+.078	.109	.250		.718	1.062	12190
UHB-362	3.625	3-5/8	92.1	3.773			.074	3.831	-.000	.109	.250		.718	1.062	12380
UHB-375	3.750	3-3/4	95.2	3.902			.076	3.962		.109	.250		.718	1.062	12600
UHB-387	3.875	3-7/8	98.4	4.027			.076	4.089		.109	.250		.718	1.062	12820
UHB-393	3.938	3-15/16	100.0	4.094			.078	4.156		.109	.250		.718	1.062	13230
UHB-400	4.000	4	101.6	4.156			.078	4.221		.109	.250		.875	1.312	13690
UHB-412	4.125	4-1/8	104.8	4.285		+.006	.080	4.355		.109	.250		.875	1.312	14110
UHB-425	4.250	4-1/4	108.0	4.410		-.000	.080	4.485		.109	.250		.875	1.312	14540
UHB-433	4.331	-	110.0	4.490			.080	4.565	+.093	.109	.250		.875	1.312	14960
UHB-443	4.436	4-7/16	112.7	4.596			.080	4.670	-.000	.109	.250		.875	1.312	15170
UHB-450	4.500	4-1/2	114.3	4.664			.082	4.744		.109	.250		.875	1.312	15390
UHB-462	4.625	4-5/8	117.5	4.795			.085	4.875		.109	.25		.875	1.312	15830
UHB-475	4.750	4-3/4	120.6	4.926			.088	5.011		.109	.281		.875	1.312	16250
UHB-500	5.000	5	127.0	5.180			.090	5.265		.109	.281		.875	1.312	17110
UHB-525	5.250	5-1/4	133.3	5.435			.092	5.530		.125	.312	+/- .005	1.000	1.500	20590
UHB-537	5.375	5-3/8	136.5	5.565			.095	5.660		.125	.312		1.000	1.500	21110
UHB-550	5.500	5-1/2	139.7	5.696	+/- .007	+.006	.098	5.796	+.125	.125	.312		1.000	1.500	21790
UHB-575	5.750	5-3/4	146.0	5.950		-.000	.100	6.050	-.000	.125	.312		1.000	1.500	22570
UHB-600	6.000	6	152.4	6.204			.102	6.309		.125	.312		1.000	1.500	23550
UHB-625	6.250	6-1/4	158.7	6.458			.104	6.568		.156	.343		1.000	1.500	29420
UHB-650	6.500	6-1/2	165.1	6.712			.106	6.832		.156	.343		1.125	1.812	30610
UHB-662	6.625	6-5/8	168.3	6.845		+.006	.110	6.975	+.156	.156	.343		1.125	1.812	31400
UHB-675	6.750	6-3/4	171.4	6.970		-.000	.110	7.100	-.000	.156	.343		1.125	1.812	32640
UHB-700	7.000	7	177.8	7.220			.110	7.350		.156	.343		1.125	1.812	34850
UHB-725	7.250	7-1/4	184.1	7.500			.125	7.630		.187	.375		1.375	2.250	38060
UHB-750	7.500	7-1/2	190.5	7.750			.125	7.890		.187	.375		1.375	2.250	39450
UHB-800	8.000	8	203.2	8.250	+/- .008		.125	8.400		.187	.375		1.375	2.250	41960
UHB-825	8.250	8-1/4	209.5	8.540			.145	8.665		.187	.437		1.625	2.500	43320
UHB-850	8.500	8-1/2	215.9	8.790		+.006	.145	8.915	+.187	.187	.437		1.625	2.500	44710
UHB-875	8.750	8-3/4	222.2	9.080		-.000	.165	9.205	-.000	.187	.500		1.625	2.500	48900
UHB-900	9.000	9	228.6	9.330			.165	9.455		.187	.500		1.625	2.500	49740
UHB-905	9.250	9-1/4	235.0	9.384			.165	9.509		.187	.500		1.750	2.625	50050
UHB-950	9.500	9-1/2	241.3	9.830			.165	9.955		.187	.500		1.750	2.625	52520
UHB-984	9.750	9-3/4	247.7	10.170			.165	10.295		.187	.500		1.750	2.625	53780
UHB-1000	10.000	10	254.0	10.330			.165	10.455		.187	.500		1.750	2.625	55400

*In der Nut montiert.

Material: SAE 1060/1075 Kohlenstoffstahl		
Härte:	Ringgröße	HRC
	125-700	42-52
	725-1000	40-47

BEMERKUNG: ROTOR CLIP KANN JEGLICHE RINGGRÖÖE FÜR SIE HERSTELLEN.
WENDEN SIE SICH BITTE AN UNSEREN TECHNISCHEN VERKAUF UNTER rcgmbh@rotorclip.com.