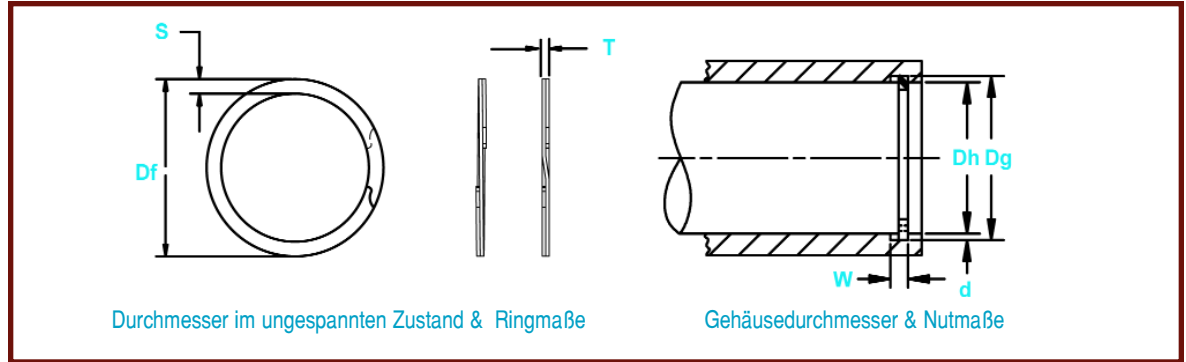


Für Bohrungen, Medium-Schwere Ausführung



RING NR.	Gehäuse durchmesser (Zoll)	Nutgröße					Ringgröße					Axialbelastung (kN)		
		Durchmesser		Breite		Tiefe	Durchm. im ungespannten Zustand		Dicke		Querschnitt		RING Sicherheitsfaktor von 2	NUT Sicherheitsfaktor von 3
		Dg	Tol.	W	Tol.	d	Df	Tol.	T	Tol.	S	Tol.	Pr	Pg
KR-50	.500	.524	+.002/-0.002	.039		.012	.529		.035		.045		2530	420
KR-51	.512	.536		.039		.012	.541		.035		.045		2590	430
KR-56	.562	.592		.039		.015	.597		.035		.045		2840	600
KR-62	.625	.659		.039		.017	.665		.035		.045		3160	750
KR-68	.688	.724		.039		.018	.730		.035		.055		3480	880
KR-75	.750	.790	+.003	.039		.020	.796		.035		.055		3790	1060
KR-77	.777	.819	-.003	.046	+.003	.021	.825	+.013	.042		.065		4720	1150
KR-81	.812	.857		.046	-.000	.023	.864	-.000	.042		.065		4930	1320
KR-86	.866	.912		.046		.023	.919		.042		.065		5260	1410
KR-87	.875	.922		.046		.024	.929		.042	+.002	.065		5310	1480
KR-90	.901	.950		.046		.025	.957		.042	-.002	.065		5470	1590
KR-93	.938	.989		.046		.026	.997		.042		.075		5690	1720
KR-100	1.000	1.055		.046		.028	1.063		.042		.075		6070	1980
KR-102	1.023	1.079		.046		.028	1.087		.042		.075		6210	2030
KR-106	1.062	1.120		.056		.029	1.129		.050		.078		7010	2180
KR-112	1.125	1.185		.056		.030	1.195		.050		.078	+.004	7420	2390
KR-118	1.188	1.250		.056		.031	1.260		.050		.088	-.004	7840	2600
KR-125	1.250	1.320	+.004	.056		.035	1.330	+.015	.050		.093		8250	3090
KR-131	1.312	1.385	-.004	.056		.037	1.395	-.000	.050		.093		8660	3430
KR-137	1.375	1.450		.056		.038	1.461		.050		.098		9070	3690
KR-143	1.438	1.515		.056		.039	1.526		.050		.103		9490	3960
KR-145	1.456	1.535		.056		.040	1.546		.050		.108		9610	4120
KR-150	1.500	1.580		.056	+.004	.040	1.591		.050		.108		9900	4240
KR-156	1.562	1.647		.068	-.000	.043	1.659		.062		.113		12780	4750
KR-162	1.625	1.715		.068		.045	1.727		.062		.113		13290	5170
KR-165	1.653	1.745		.068		.046	1.757		.062		.118		13520	5380
KR-168	1.688	1.780		.068		.046	1.793		.062		.118		13810	5490
KR-175	1.750	1.845	+.005	.068		.048	1.858	+.020	.062		.118		14320	5940
KR-181	1.812	1.910	-.005	.068		.049	1.923	-.000	.062		.123		14820	6280
KR-185	1.850	1.949		.068		.050	1.963		.062		.123		15130	6540
KR-187	1.875	1.975		.068		.050	1.989		.062		.128		15340	6630
KR-193	1.938	2.040		.068		.051	2.054		.062		.128		15850	6990
KR-200	2.000	2.110		.068		.055	2.125		.062		.138		16360	7780
KR-206	2.062	2.175		.086		.057	2.190		.078		.141		21220	8310
KR-212	2.125	2.240		.086		.058	2.255		.078	+.003	.141		21870	8710
KR-218	2.188	2.305		.086		.059	2.321		.078	-.003	.141		22520	9130
KR-225	2.250	2.370		.086		.060	2.386		.078		.141		23160	9540
KR-231	2.312	2.440		.086		.064	2.457		.078		.188		23800	10460
KR-237	2.375	2.505		.086		.065	2.522		.078		.188		24440	10910
KR-244	2.440	2.570		.086		.065	2.588		.078		.188		25110	11210
KR-250	2.500	2.635	+.006	.086	+.005	.068	2.653	+.025	.078		.188		25730	12020
KR-253	2.531	2.668	-.006	.086	-.000	.069	2.687	-.000	.078		.188	+.005	26050	12350
KR-256	2.562	2.700		.103		.069	2.720		.093		.188	-.005	29940	12500
KR-262	2.625	2.765		.103		.070	2.785		.093		.188		30680	12990
KR-268	2.688	2.834		.103		.073	2.855		.093		.188		31410	13870
KR-275	2.750	2.900		.103		.075	2.921		.093		.188		32140	14580
KR-281	2.813	2.965		.103		.076	2.987		.093		.188		32880	15110
KR-283	2.834	2.987		.103		.077	3.009		.093		.188		33120	15430