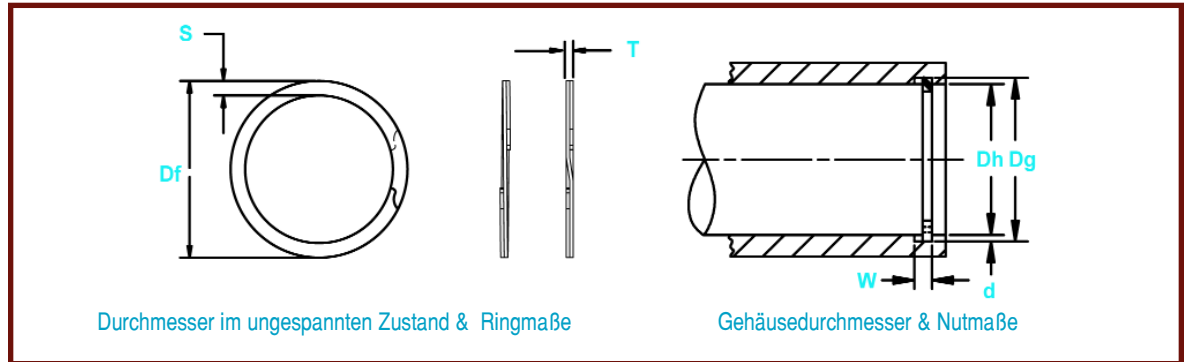
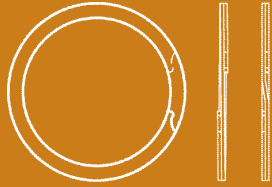


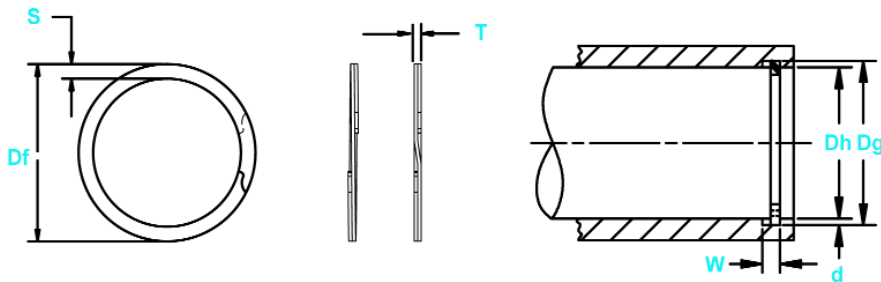
Für Bohrungen, Medium Ausführung



Durchmesser im ungespannten Zustand & Ringmaße

Gehäusedurchmesser & Nutmaße

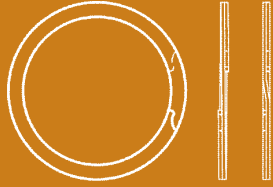
RING NR.	Gehäuse durchmesser (Zoll)	Nutgröße				Ringgröße				Axialbelastung (lbs.)			
		Durchmesser		Breite		Tiefe		Durchm. im ungespannten Zustand		Dicke	Querschnitt	RING	NUT
		Dg	Tol.	W	Tol.	d	Df	Tol.	T			Tol.	S
KM-50	.500	.526		.030		.013	.532		.025		.045	2000	460
KM-51	.512	.538		.030		.013	.544		.025		.045	2050	470
KM-53	.531	.557		.030		.013	.564		.025		.045	2130	490
KM-56	.562	.588		.030		.013	.594		.025		.045	2250	520
KM-59	.594	.619	+.002	.030		.013	.626		.025		.045	2380	550
KM-62	.625	.651	-.002	.030		.013	.658		.025		.045	2500	570
KM-65	.656	.682		.030		.013	.689		.025		.045	2630	600
KM-68	.687	.713		.030		.013	.720		.025		.045	2750	630
KM-71	.718	.744		.030		.013	.751		.025		.045	2870	660
KM-75	.750	.782		.036		.016	.790		.031		.065	3360	850
KM-77	.777	.808		.036		.016	.817	+.013	.031		.065	3480	880
KM-78	.781	.812		.036	+.003	.016	.821	-.000	.031		.065	3500	880
KM-81	.812	.843		.036	-.000	.016	.853		.031		.065	3640	920
KM-84	.843	.880		.036		.019	.889		.031		.065	3780	1130
KM-86	.866	.903		.036		.019	.913		.031		.065	3880	1160
KM-87	.875	.912	+.003	.036		.019	.922		.031		.065	3920	1180
KM-90	.906	.943	-.003	.036		.019	.953		.031	+.002	.065	4060	1220
KM-93	.938	.975		.036		.019	.986		.031	-.002	.065	4200	1260
KM-96	.968	1.011		.042		.021	1.022		.037		.075	5180	1440
KM-98	.987	1.030		.042		.021	1.041		.037		.075	5280	1470
KM-100	1.000	1.043		.042		.021	1.054		.037		.075	5350	1480
KM-102	1.023	1.066		.042		.021	1.078		.037		.075	5470	1520
KM-103	1.031	1.074		.042		.021	1.084		.037		.075	5510	1530
KM-106	1.062	1.104		.042		.021	1.117		.037		.075	5680	1580
KM-109	1.093	1.135		.042		.021	1.147		.037		.075	5840	1620
KM-112	1.125	1.167		.042		.021	1.180		.037		.075	6020	1670
KM-115	1.156	1.198		.042		.021	1.210		.037		.075	6180	1720
KM-118	1.188	1.236		.048		.024	1.249		.043		.085	7380	2020
KM-121	1.218	1.266		.048		.024	1.278		.043		.085	7570	2070
KM-125	1.250	1.298	+.004	.048		.024	1.312		.043		.085	7770	2120
KM-128	1.281	1.329	-.004	.048		.024	1.342	+.015	.043		.085	7960	2170
KM-131	1.312	1.360		.048	+.004	.024	1.374	-.000	.043		.085	8150	2230
KM-134	1.343	1.395		.048	-.000	.026	1.408		.043		.085	8350	2470
KM-137	1.375	1.427		.048		.026	1.442		.043		.095	8540	2530
KM-140	1.406	1.458		.048		.026	1.472		.043		.095	8740	2580
KM-143	1.437	1.489		.048		.026	1.504		.043		.095	8930	2640
KM-145	1.456	1.508		.048		.026	1.523		.043		.095	9050	2680
KM-146	1.468	1.520		.048		.026	1.535		.043		.095	9120	2700
KM-150	1.500	1.552		.048		.026	1.567		.043		.095	9320	2760



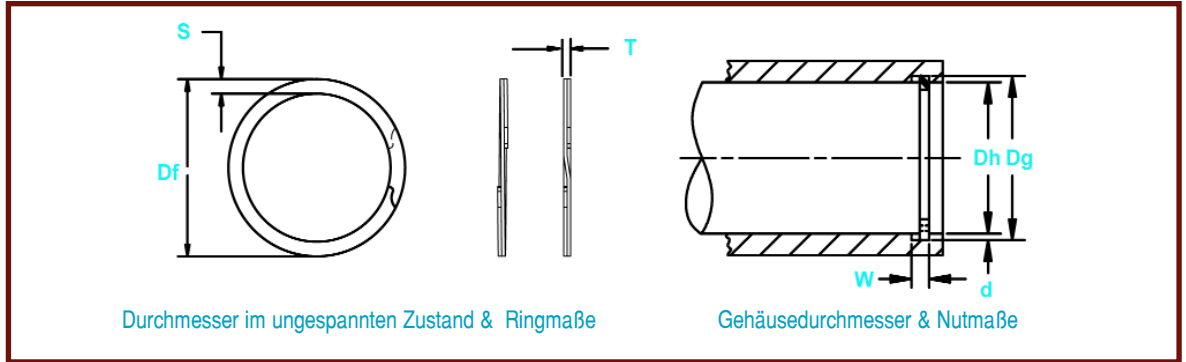
Durchmesser im ungespannten Zustand & Ringmaße

Gehäuse Durchmesser & Nutmaße

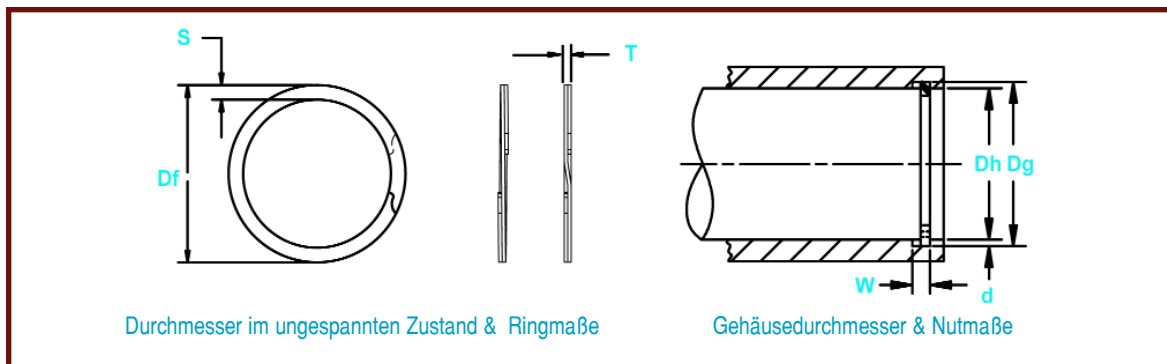
RING NR.	Gehäuse durchmesser	Nutgröße					Ringgröße					Axialbelastung (lbs.)		
		Durchmesser		Breite		Tiefe	Durchm. im ungespannten Zustand			Dicke		Querschnitt	RING Sicherheitsfaktor von 2	NUT Sicherheitsfaktor von 3
		(Zoll)	Dg	Tol.	W	Tol.	d	Df	Tol.	T	Tol.	S	Pr	Pg
KM-156	1.562	1.617		.056		.028	1.634		.049		.108	10100	3090	
KM-157	1.574	1.633		.056		.030	1.649		.049		.108	10180	3340	
KM-162	1.625	1.684		.056		.030	1.701		.049		.108	10510	3350	
KM-165	1.653	1.712		.056		.030	1.730		.049		.108	10690	3510	
KM-168	1.687	1.750	+ .005	.056		.031	1.768	+ .020	.049		.118	10910	3700	
KM-175	1.750	1.813	- .005	.056		.031	1.834	- .000	.049		.118	11310	3840	
KM-181	1.813	1.875		.056		.031	1.894		.049		.118	11720	3970	
KM-185	1.850	1.917		.056		.034	1.937		.049		.118	11960	4450	
KM-187	1.875	1.942		.056		.034	1.960		.049		.118	12120	4510	
KM-193	1.938	2.005		.056		.034	2.025		.049		.118	12530	4660	
KM-200	2.000	2.071		.056		.035	2.091		.049		.128	12930	4950	
KM-204	2.047	2.118		.056		.035	2.138		.049		.128	18240	5060	
KM-206	2.062	2.132		.056		.035	2.154		.049		.128	13330	5100	
KM-212	2.125	2.195		.056		.035	2.217		.049		.128	13740	5260	
KM-216	2.165	2.239		.056	+ .004	.037	2.260		.049		.138	14000	5660	
KM-218	2.188	2.262		.056	- .000	.037	2.284		.049		.138	14150	5720	
KM-225	2.250	2.324		.056		.037	2.347		.049		.138	14550	5890	
KM-231	2.312	2.390		.056		.039	2.413		.049		.138	14950	6370	
KM-237	2.375	2.453		.056		.039	2.476		.049		.138	15360	6550	
KM-243	2.437	2.519		.056		.041	2.543		.049		.148	15760	7060	
KM-244	2.440	2.522		.056		.041	2.546		.049		.148	15780	7070	
KM-250	2.500	2.582		.056		.041	2.606	+ .025	.049	+ .003	.148	16160	7250	
KM-253	2.531	2.617		.056		.043	2.641	- .000	.049	- .003	.148	16360	7690	
KM-256	2.562	2.648		.056		.043	2.673		.049		.148	16560	7790	
KM-262	2.625	2.711		.056		.043	2.736		.049		.148	16970	7980	
KM-267	2.677	2.767	+ .006	.056		.045	2.789		.049		.158	17310	8520	
KM-268	2.688	2.778	- .006	.056		.045	2.803		.049		.158	17380	8550	
KM-275	2.750	2.841		.056		.045	2.865		.049		.158	17780	8750	
KM-281	2.813	2.903		.056		.045	2.929		.049		.158	18190	8950	
KM-283	2.834	2.928		.056		.047	2.954		.049		.168	18320	9520	
KM-287	2.875	2.969		.056		.047	2.995		.049		.168	18590	9550	
KM-293	2.937	3.031		.056		.047	3.058		.049		.168	18990	9760	
KM-295	2.952	3.046		.056		.047	3.073		.049		.168	19090	9810	
KM-300	3.000	3.096		.068		.048	3.122		.061		.168	24150	10180	
KM-306	3.062	3.158		.068		.048	3.186		.061		.168	24650	10390	
KM-312	3.125	3.223		.068		.048	3.251		.061		.178	25150	10600	
KM-314	3.149	3.247		.068	+ .005	.048	3.276		.061		.178	25350	10680	
KM-318	3.187	3.283		.068	- .000	.048	3.311	+ .030	.061		.178	25650	10810	
KM-325	3.250	3.350		.068		.050	3.379	- .000	.061		.178	26160	11490	
KM-331	3.312	3.416		.068		.052	3.446		.061		.188	26660	12170	
KM-334	3.346	3.450		.068		.052	3.479		.061		.188	26930	12300	
KM-337	3.375	3.479		.068		.052	3.509		.061		.188	27170	12410	



Für Bohrungen, Medium Ausführung



RING NR.	Gehäuse durchmesser	Nutgröße					Ringgröße				Axialbelastung (lbs.)		
		Durchmesser		Breite		Tiefe	Durchm. im ungespannten Zustand		Dicke		Querschnitt	RING Sicherheitsfaktor von 2	NUT Sicherheitsfaktor von 3
		(Zoll)	Dg	Tol.	W	Tol.	d	Df	Tol.	T	Tol.	S	Pr
KM-343	3.437	3.543		.068		.053	3.574		.061		.188	27660	12880
KM-350	3.500	3.606		.068		.053	3.636		.061		.188	28170	13110
KM-354	3.543	3.653		.068		.055	3.684		.061		.198	28520	13770
KM-356	3.562	3.672		.068		.055	3.703		.061		.198	28670	13850
KM-362	3.625	3.737		.068		.056	3.769		.061		.198	29180	14350
KM-368	3.687	3.799		.068		.056	3.832	+ .030	.061		.198	29680	14600
KM-374	3.740	3.852		.068		.056	3.885	- .000	.061		.198	30100	14800
KM-375	3.750	3.862		.068		.056	3.894		.061	+ .003	.198	30180	14840
KM-381	3.812	3.930		.068		.059	3.963		.061	- .003	.208	30680	15900
KM-387	3.875	3.993		.068		.059	4.025		.061		.208	31190	16160
KM-393	3.938	4.056		.068		.059	4.089		.061		.208	31700	16420
KM-400	4.000	4.124		.068		.062	4.157		.061		.218	32200	17530
KM-406	4.063	4.187		.068		.062	4.222		.061		.218	32700	17810
KM-412	4.125	4.249	+ .006	.068		.062	4.284		.061		.218	33200	18080
KM-418	4.188	4.311	- .006	.068	+ .005	.062	4.347		.061		.218	33710	18350
KM-425	4.250	4.380		.068	- .000	.065	4.416		.061		.228	34210	19530
KM-431	4.312	4.442		.068		.065	4.479		.061		.228	34710	19810
KM-433	4.330	4.460		.068		.065	4.497		.061		.228	34850	19900
KM-437	4.375	4.505		.068		.065	4.543		.061		.228	35210	20100
KM-443	4.437	4.573		.068		.068	4.611		.061		.238	35710	21330
KM-450	4.500	4.636		.068		.068	4.674		.061		.238	36220	21630
KM-452	4.527	4.663		.068		.068	4.701		.061		.238	36440	21760
KM-456	4.562	4.698		.068		.068	4.737	+ .035	.061		.238	36720	21930
KM-462	4.625	4.765		.079		.070	4.803	- .000	.072		.250	43940	22890
KM-468	4.687	4.827		.079		.070	4.867		.072		.250	44530	23190
KM-472	4.724	4.864		.079		.070	4.903		.072		.250	44880	23370
KM-475	4.750	4.890		.079		.070	4.930		.072		.250	45130	23500
KM-481	4.812	4.952		.079		.070	4.993		.072		.250	45720	23810
KM-487	4.875	5.015		.079		.070	5.055		.072		.250	46310	24120
KM-492	4.921	5.061		.079		.070	5.102		.072		.250	46750	24350
KM-493	4.937	5.081		.079		.072	5.122		.072	+ .004	.250	46900	25130
KM-500	5.000	5.144		.079		.072	5.185		.072	- .004	.250	47500	25450
KM-511	5.118	5.262		.079		.072	5.304		.072		.250	48620	26050
KM-512	5.125	5.269		.079		.072	5.311		.072		.250	48690	26100
KM-525	5.250	5.393		.079		.072	5.436		.072		.250	49880	26720
KM-537	5.375	5.522		.079		.074	5.566		.072		.250	51060	28120
KM-550	5.500	5.647	+ .007	.079		.074	5.693	+ .045	.072		.250	52250	28770
KM-551	5.511	5.658	- .007	.079		.074	5.703	- .000	.072		.250	52360	28830
KM-562	5.625	5.772		.079		.074	5.818		.072		.250	53440	29400
KM-570	5.708	5.861		.079		.077	5.909		.072		.250	54230	31070
KM-575	5.750	5.903		.079		.077	5.950		.072		.250	54630	31300



Durchmesser im ungespannten Zustand & Ringmaße

Gehäusedurchmesser & Nutmaße

RING NR.	Gehäuse durchmesser	Nutgröße					Ringgröße					Axialbelastung (lbs.)		
		Durchmesser		Breite		Tiefe	Durchm. im ungespannten Zustand		Dicke		Querschnitt	RING Sicherheitsfaktor von 2	NUT Sicherheitsfaktor von 3	
		(Zoll)	Dg	Tol.	W	Tol.	d	Df	Tol.	T	Tol.	S	Pr	Pg
KM-587	5.875	6.028	+ .007	.079	+ .005	.077	6.077		.072		.250	55810	31980	
KM-590	5.905	6.058	- .007	.079	- .005	.077	6.106	+ .045	.072		.250	56100	32140	
KM-600	6.000	6.153		.079		.077	6.202	- .000	.072		.250	57000	32660	
KM-612	6.125	6.297		.094		.086	6.349		.086		.312	69500	37200	
KM-625	6.250	6.422		.094		.086	6.474		.086		.312	70920	37990	
KM-629	6.299	6.471		.094		.086	6.524		.086		.312	71480	38290	
KM-637	6.375	6.547		.094		.086	6.601		.086		.312	72340	38750	
KM-650	6.500	6.672		.094		.086	6.726		.086		.312	73760	39510	
KM-662	6.625	6.807		.094		.091	6.863	+ .055	.086		.312	75180	42620	
KM-669	6.692	6.874		.094		.091	6.931	- .000	.086		.312	75940	43050	
KM-675	6.750	6.932		.094		.091	6.987		.086		.312	76600	43420	
KM-687	6.875	7.057		.094		.091	7.114		.086		.312	78010	44220	
KM-700	7.000	7.182		.094		.091	7.239		.086		.312	79430	45030	
KM-708	7.086	7.278		.094		.096	7.337		.086		.312	80410	48080	
KM-712	7.125	7.317		.094		.096	7.376		.086		.312	80850	48350	
KM-725	7.250	7.442		.094		.096	7.501		.086		.312	82270	49200	
KM-737	7.375	7.567		.094		.096	7.628		.086		.312	83690	50050	
KM-748	7.480	7.672		.094		.096	7.734		.086		.312	84880	50760	
KM-750	7.500	7.692	+ .008	.094	+ .006	.096	7.754		.086		.312	85110	50890	
KM-762	7.625	7.827	- .008	.094	- .006	.101	7.890		.086		.312	86520	54440	
KM-775	7.750	7.952		.094		.101	8.014		.086	+ .004	.312	87940	55330	
KM-787	7.875	8.077		.094		.101	8.141		.086	- .004	.312	89360	63360	
KM-800	8.000	8.202		.094		.101	8.266		.086		.312	90780	57110	
KM-825	8.250	8.462		.094		.106	8.528		.086		.375	93620	61820	
KM-826	8.267	8.479		.094		.106	8.546		.086		.375	93810	61940	
KM-846	8.464	8.676		.094		.106	8.744	+ .065	.086		.375	96050	63420	
KM-850	8.500	8.712		.094		.106	8.780	- .000	.086		.375	96450	63690	
KM-875	8.750	8.972		.094		.111	9.041		.086		.375	99290	68650	
KM-885	8.858	9.080		.094		.111	9.151		.086		.375	100520	69500	
KM-900	9.000	9.222		.094		.111	9.293		.086		.375	102130	70620	
KM-905	9.055	9.287		.094		.116	9.359		.086		.375	102750	74250	
KM-925	9.250	9.482		.094		.116	9.555		.086		.375	104960	75850	
KM-944	9.448	9.680		.094		.116	9.755		.086		.375	107210	77470	
KM-950	9.500	9.732		.094		.116	9.806		.086		.375	107800	77900	
KM-975	9.750	9.992		.094		.121	10.068		.086		.375	110640	83390	
KM-1000	10.000	10.242		.094		.121	10.320		.086		.375	113470	85530	
KM-1025	10.250	10.502		.094		.126	10.582		.086		.375	116310	91290	
KM-1050	10.500	10.752		.094		.126	10.834		.086		.375	119150	93520	
KM-1075	10.750	11.012		.094		.131	11.095		.086		.375	121990	99540	
KM-1100	11.000	11.262		.094		.131	11.347		.086		.375	124820	101860	