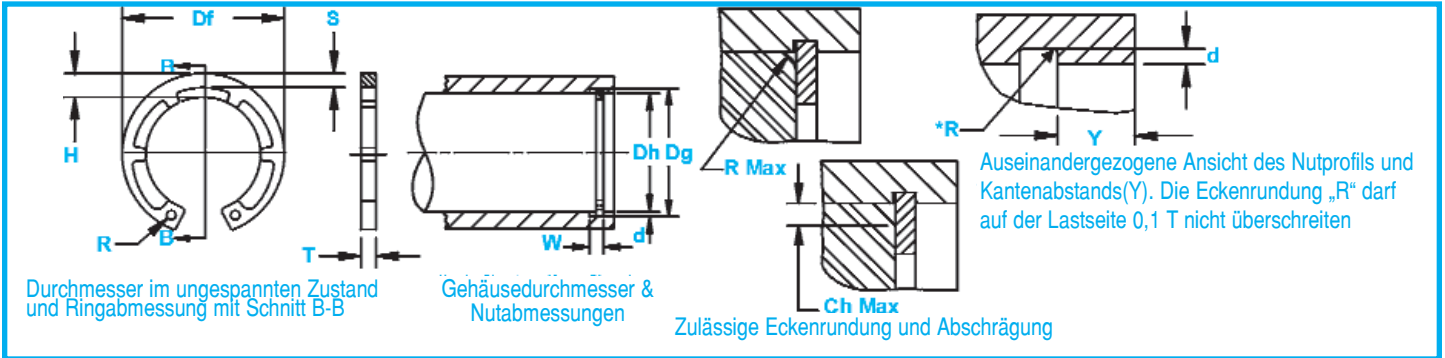


Axialmontiert, für Wellen, Metrisch

Der durch die Zähne entstehende größere Bund ist bei Anwendungen mit großen Radien bzw. Abschrägungen besonders effektiv.

DHT DIN 984 Sicherungsringe



Ring Nr.	Gehäuse		NUTGRÖÖE				RINGSGRÖÖE UND GEWICHT						ZUSÄTZLICHE TECHN. DATEN					
	Durchmesser (mm)	Dg	Tol.	BREIT W Min.	TIEFE d	DICKE ***		Durchmesser im ungespannten Zustand		AUGE HOHE H Max.	MAX. Quer-schnitt S Ref.	Montage-loch Durchmesser R Min.	GEWICHT kg/ 1000	KANTEN-ABSTAND Y Min.	Axial-belastung Ring Pr kN	Axial-belastung Nut Pg kN	Zulässige Eckenrundung und Abschrägung R/Ch Max.	Max. Belastung bei R/Ch Max. Pr kN
						T	Tol.	Df	Tol.									
DHT-16	16	16.8	+0,11	1.10	0.40	1.00		17.3		3.4	2.1	1.7	0.72	1.2	5.5	3.4	1.0	2.5
DHT-17	17	17.8		1.10	0.40	1.00		18.3		3.7	2.2	1.7	0.80	1.2	6.0	3.6	1.0	2.5
DHT-18	18	19.0		1.10	0.50	1.00		19.5		4.1	2.3	2.0	0.90	1.5	6.5	4.8	1.0	2.6
DHT-19	19	20.0		1.10	0.50	1.00		20.5	+0,42	3.8	2.3	2.0	0.99	1.5	6.8	5.1	1.0	2.6
DHT-20	20	21.0	+0,15	1.10	0.50	1.00		21.5	-0,13	3.9	2.4	2.0	1.06	1.5	7.2	5.4	1.0	2.6
DHT-21	21	22.0		1.10	0.50	1.00		22.5		4.0	2.4	2.0	1.17	1.5	7.6	5.7	1.0	2.6
DHT-22	22	23.0		1.10	0.50	1.00		23.5		4.0	2.6	2.0	1.28	1.5	8.0	5.9	1.0	2.7
DHT-23	23	24.1		1.30	0.55	1.20		24.6		4.1	2.6	2.0	1.48	1.6	13.8	6.8	1.0	4.5
DHT-24	24	25.2		1.30	0.60	1.20		25.9		4.2	2.6	2.0	1.60	1.8	13.9	7.7	1.0	4.6
DHT-25	25	26.2		1.30	0.60	1.20		26.9	+0,42	4.4	2.8	2.0	1.72	1.8	14.6	8.0	1.0	4.7
DHT-26	26	27.2	+0,21	1.30	0.60	1.20		28.5	-0,21	4.4	2.8	2.0	2.00	1.8	13.8	8.4	1.0	4.6
DHT-27	27	28.4		1.30	0.70	1.20		29.1		4.5	2.9	2.0	2.00	2.1	13.3	10.1	1.0	4.5
DHT-28	28	29.4		1.30	0.70	1.20	-0,06	30.1		4.9	3.0	2.0	2.10	2.1	13.3	10.5	1.0	4.5
DHT-30	30	31.4		1.30	0.70	1.20		32.1		4.9	3.2	2.0	2.35	2.1	13.7	11.3	1.0	4.6
DHT-31	31	32.7		1.30	0.85	1.20		33.4		5.0	3.2	2.5	2.42	2.5	13.8	14.1	1.0	4.7
DHT-32	32	33.7		1.30	0.85	1.20		34.4	+0,50	5.1	3.3	2.5	2.50	2.5	13.8	14.6	1.0	4.7
DHT-33	33	34.7		1.30	0.85	1.20		35.5	-0,25	5.1	3.3	2.5	2.65	2.5	14.3	15.0	1.5	4.9
DHT-34	34	35.7		1.60	0.85	1.50		36.5		5.3	3.4	2.5	3.80	2.5	26.2	15.4	1.5	6.3
DHT-35	35	37.0		1.60	1.00	1.50		37.8		5.5	3.6	2.5	4.00	3.0	26.9	18.8	1.5	6.4
DHT-36	36	38.0	+0,25	1.60	1.00	1.50		38.8		5.6	3.6	2.5	4.15	3.0	26.4	19.4	1.5	6.4
DHT-38	38	40.0		1.60	1.00	1.50		40.8		6.1	3.8	2.5	4.40	3.0	28.2	22.5	1.5	6.7
DHT-40	40	42.5		1.85	1.25	1.75		43.5		7.2	4.0	2.5	5.30	3.8	44.6	27.0	2.0	8.3
DHT-42	42	44.5		1.85	1.25	1.75		45.5	+0,90	7.2	4.1	2.5	6.00	3.8	44.7	28.4	2.0	8.4
DHT-44	44	46.5		1.85	1.25	1.75		47.5	-0,39	7.2	4.2	2.5	6.45	3.8	43.3	29.5	2.0	8.3
DHT-45	45	47.5		1.85	1.25	1.75		48.5		7.2	4.3	2.5	6.60	3.8	43.1	30.2	2.0	8.2
DHT-47	47	49.5		1.85	1.25	1.75		50.5		7.2	4.5	2.5	6.90	3.8	43.5	31.4	2.0	8.3
DHT-48	48	50.5		1.85	1.25	1.75		51.5		7.2	4.5	2.5	7.50	3.8	43.2	32.0	2.0	8.4
DHT-50	50	53.0		2.15	1.50	2.00		54.2		8.2	4.7	2.5	8.50	4.5	60.8	40.5	2.0	12.1
DHT-52	52	55.0		2.15	1.50	2.00		56.2		8.2	4.7	2.5	9.40	4.5	60.2	42.0	2.0	12.0
DHT-55	55	58.0		2.15	1.50	2.00		59.2		8.2	5.1	2.5	9.75	4.5	60.3	44.4	2.0	12.5
DHT-57	57	60.0		2.15	1.50	2.00		61.2		8.2	5.2	2.5	11.65	4.5	60.8	46.0	2.0	12.7
DHT-58	58	61.0		2.15	1.50	2.00		62.2	+1,10	8.2	5.3	2.5	12.00	4.5	60.8	46.7	2.0	12.7
DHT-60	60	63.0	+0,30	2.15	1.50	2.00		64.2	-0,46	8.2	5.5	2.5	12.70	4.5	61.0	48.3	2.0	13.0
DHT-62	62	65.0		2.15	1.50	2.00	-0,07	66.2		8.2	5.6	2.5	12.75	4.5	60.9	49.8	2.0	13.0
DHT-65	65	68.0		2.65	1.50	2.50		69.2		10.2	5.8	3.0	16.70	4.5	121.0	51.8	2.5	20.8
DHT-67	67	70.0		2.65	1.50	2.50		71.5		10.2	6.0	3.0	18.60	4.5	121.0	53.8	2.5	21.1
DHT-68	68	71.0		2.65	1.50	2.50		72.5		10.2	6.1	3.0	19.30	4.5	121.0	54.5	2.5	21.2
DHT-70	70	73.0		2.65	1.50	2.50		74.5		10.2	6.2	3.0	20.20	4.5	119.0	56.2	2.5	21.0
DHT-72	72	75.0		2.65	1.50	2.50		76.5		10.2	6.4	3.0	21.20	4.5	119.0	58.0	2.5	21.0
DHT-75	75	78.0		2.65	1.50	2.50		79.5		10.2	6.6	3.0	22.60	4.5	118.0	60.0	2.5	21.0
DHT-80	80	83.5		2.65	1.75	2.50		85.5		10.2	7.0	3.0	25.00	5.3	120.0	74.6	2.5	21.8
DHT-85	85	88.5		3.15	1.75	3.00		90.5		12.2	7.4	3.5	30.10	5.3	201.0	79.5	3.0	31.2
DHT-90	90	93.5	+0,35	3.15	1.75	3.00	-0,08	95.5	+1,30	12.2	7.7	3.5	35.50	5.3	199.0	84.0	3.0	31.4
DHT-95	95	98.5		3.15	1.75	3.00		100.5	-0,54	12.2	8.1	3.5	40.00	5.3	195.0	88.6	3.0	31.4
DHT-100	100	103.5		3.15	1.75	3.00		105.5		12.2	8.5	3.5	43.50	5.3	188.0	93.1	3.0	30.8
DHT-110	110	114.0	+0,54	4.15	2.00	4.00		117.0		12.2	9.0	3.5	73.00	6.0	415.0	117.0	3.0	71.0
DHT-115	115	119.0		4.15	2.00	4.00		122.0		12.2	9.3	3.5	82.00	6.0	409.0	122.0	3.0	71.2
DHT-120	120	124.0		4.15	2.00	4.00		127.0		12.2	9.6	3.5	87.00	6.0	396.0	127.0	3.0	70.0
DHT-125	125	129.0		4.15	2.00	4.00		132.0		12.2	9.9	4.0	92.00	6.0	385.0	132.0	3.0	70.0
DHT-130	130	134.0		4.15	2.00	4.00	-0,10	137.0	+1,50	12.2	10.2	4.0	102.00	6.0	374.0	138.0	3.0	69.0
DHT-140	140	144.0	+0,63	4.15	2.00	4.00		148.0	-0,63	14.2	10.7	4.0	112.00	6.0	350.0	148.0	3.0	66.5
DHT-150	150	155.0		4.15	2.50	4.00		158.0		14.2	11.1	4.0	123.00	7.5	326.0	191.0	3.0	64.0
DHT-160	160	165.0		4.15	2.50	4.00		169.0		14.2	11.8	4.5	133.00	7.5	321.0	212.0	3.5	54.5
DHT-170	170	175.0		4.15	2.50	4.00		179.0		14.2	12.3	4.5	145.00	7.5	349.0	225.0	3.5	59.0

*** BEI GALVANISCH BEHANDELTEN RINGEN MÜSSEN 0,05 mm ZUR AUFGEFÜHRTEN RINGDICKE ADDIERT WERDEN. DIE MAXIMALE RINGDICKE (BEIM EINSATZ IN DER NUT) IST UM MINDESTENS 0,005 mm KLEINER ALS DIE AUFGEFÜHRTE MINIMALE NUTBREITE

(W). ANZAHL DER ZÄHNE: 6, DHT 16 bis 48; 8, DHT 60-170.
ALLE ABMESSUNGEN IN MILLIMETER.

RINGSORTE	GRÖÖENBEREICH	HV	HRC
DHT	16-48	470-580	47-54
	50-170	435-530	44-51