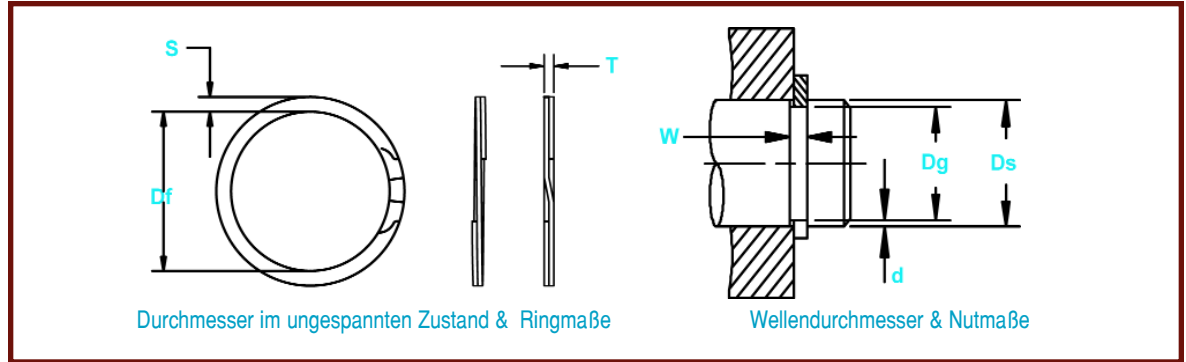
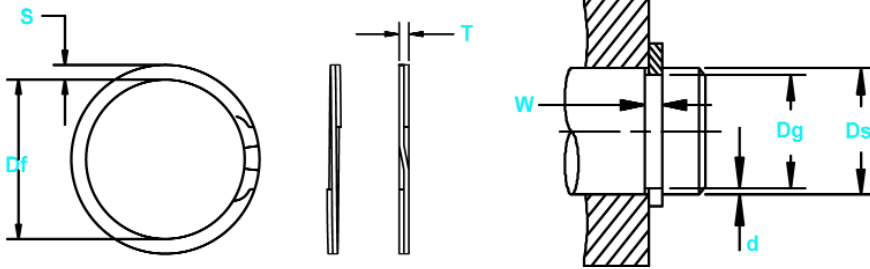


## Für Wellen, schwere Ausführung



RING NR.	Wellen durchmesser (Zoll)	Nutgröße					Ringgröße						Axialbelastung (lbs.)		
		Durchmesser		Breite		Tiefe	Durchm. im ungespannten Zustand			Dicke		Querschnitt		RING Sicherheitsfaktor von 2	NUT Sicherheitsfaktor von 3
		Dg	Tol.	W	Tol.	d	Df	Tol.	T	Tol.	S	Tol.	Pr	Pg	
CG-46	.469	.443		.029		.013	.439		.025		.045		1880	430	
CG-50	.500	.468	+.002	.039		.016	.464		.035		.050		2530	570	
CG-55	.551	.519	-.002	.039		.016	.514		.035		.050		2790	620	
CG-56	.562	.530		.039		.016	.525		.035		.050		2840	640	
CG-59	.594	.559		.039		.018	.554		.035		.050		3000	760	
CG-62	.625	.588		.039		.019	.583		.035		.055		3160	840	
CG-66	.669	.629		.039		.020	.623		.035		.055		3380	950	
CG-68	.688	.646		.046	+.003	.021	.641		.042		.065		4180	1020	
CG-75	.750	.704	+.003	.046	-.000	.023	.698		.042		.065		4550	1220	
CG-78	.781	.733	-.003	.046		.024	.727		.042		.065		4740	1330	
CG-81	.812	.762		.046		.025	.756	+.000	.042	+.002	.065	+.004	4930	1440	
CG-87	.875	.821		.046		.027	.814	-.013	.042	-.002	.075	-.004	5310	1670	
CG-93	.938	.882		.046		.028	.875		.042		.075		5690	1860	
CG-98	.984	.926		.046		.029	.919		.042		.085		5970	2020	
CG-100	1.000	.940		.046		.030	.932		.042		.085		6070	2120	
CG-102	1.023	.961		.046		.031	.953		.042		.085		6210	2240	
CG-106	1.062	.998		.056		.032	.986		.050		.103		7010	2400	
CG-112	1.125	1.059		.056		.033	1.047		.050		.103		7420	2620	
CG-118	1.188	1.118		.056		.035	1.105		.050		.103		7840	2940	
CG-125	1.250	1.176	+.004	.056		.037	1.163		.050		.103		8250	3270	
CG-131	1.312	1.232	-.004	.056	+.004	.040	1.218		.050		.118		8660	3710	
CG-137	1.375	1.291		.056	-.000	.042	1.277		.050		.118		9070	4080	
CG-143	1.438	1.350		.056		.044	1.336		.050		.118		9490	4470	
CG-150	1.500	1.406		.056		.047	1.390		.050		.118		9900	4980	
CG-156	1.562	1.468	+.005	.068		.047	1.453	+.000	.062	+.003	.128		12780	5190	
CG-162	1.625	1.529	-.005	.068		.048	1.513	-.020	.062	-.003	.128		13290	5510	



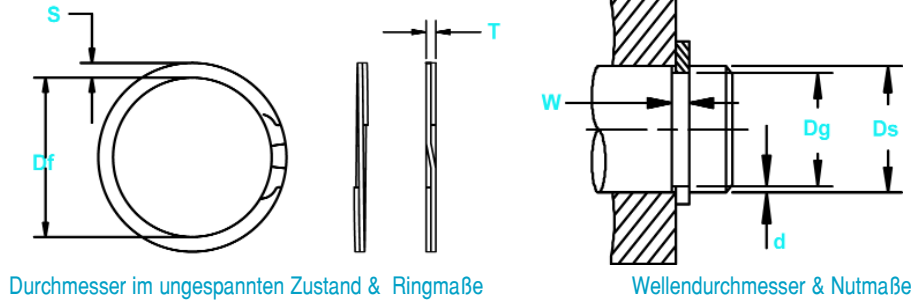
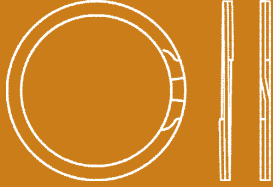
Durchmesser im ungespannten Zustand & Ringmaße

Wellendurchmesser & Nutmaße

RING NR.	Wellen durchmesser	Nutgröße					Ringgröße						Axialbelastung (lbs.)	
		Durchmesser		Breite		Tiefe	Durchm. im ungespannten Zustand		Dicke		Querschnitt		RING Sicherheitsfaktor von 2	NUT Sicherheitsfaktor von 3
		(Zoll)	Dg	Tol.	W	Tol.	d	Df	Tol.	T	Tol.	S	Tol.	Pr
CG-168	1.687	1.589		.068		.049	1.573		.062		.128		13800	5840
CG-175	1.750	1.650		.068		.050	1.633		.062		.128		14320	6190
CG-177	1.771	1.669	+.005	.068	+.004	.051	1.651	+.000	.062		.128	+.004	14490	6380
CG-181	1.812	1.708	-.005	.068	-.000	.052	1.690	-.020	.062		.128	-.004	14820	6660
CG-187	1.875	1.769		.068		.053	1.751		.062		.158		15340	7020
CG-196	1.969	1.857		.068		.056	1.838		.062		.158		16110	7790
CG-200	2.000	1.886		.068		.057	1.867		.062		.158		16360	8060
CG-206	2.062	1.946		.086		.058	1.932		.078		.168		21220	8450
CG-212	2.125	2.003		.086		.061	1.989		.078		.168		21870	9160
CG-215	2.156	2.032		.086		.062	2.018		.078		.168		22190	9450
CG-225	2.250	2.120		.086		.065	2.105		.078		.168		23160	10340
CG-231	2.312	2.178		.086		.067	2.163	+.000	.078	+.003	.168		23800	10950
CG-237	2.375	2.239		.086		.068	2.223	-.025	.078	-.003	.200		24440	11420
CG-243	2.437	2.299		.086		.069	2.283		.078		.200		25080	11890
CG-250	2.500	2.360		.086		.070	2.343		.078		.200		25730	12370
CG-255	2.559	2.419		.086		.070	2.402		.078		.200		26340	12660
CG-262	2.625	2.481	+.006	.086	+.005	.072	2.464		.078		.200	+.005	27020	13360
CG-268	2.687	2.541	-.006	.086	-.000	.073	2.523		.078		.200	-.005	27660	13870
CG-275	2.750	2.602		.103		.074	2.584		.093		.225		32140	14390
CG-287	2.875	2.721		.103		.077	2.702		.093		.225		33600	15650
CG-293	2.937	2.779		.103		.079	2.760		.093		.225		34320	16400
CG-300	3.000	2.838		.103		.081	2.818		.093		.225		35060	17180
CG-306	3.062	2.898		.103		.082	2.878	+.000	.093		.225		35790	17750
CG-312	3.125	2.957		.103		.084	2.936	-.030	.093		.225		36520	18560
CG-315	3.156	2.986		.103		.085	2.965		.093		.225		36880	18960
CG-325	3.250	3.076		.103		.087	3.054		.093		.225		37980	19990
CG-334	3.344	3.166		.103		.089	3.144		.093		.225		39080	21040
CG-343	3.437	3.257		.103		.090	3.234		.093		.225		40170	21870



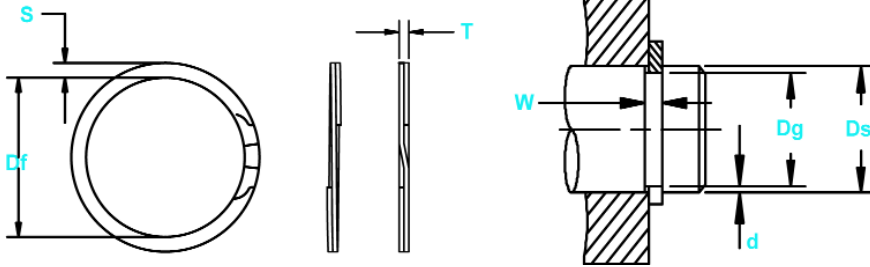
## Für Wellen, Schwere Ausführung



Durchmesser im ungespannten Zustand & Ringmaße

Wellendurchmesser & Nutmaße

RING NR.	Wellen durchmesser	Nutmgröße					Ringgröße					Axialbelastung (lbs.)			
		Durchmesser		Breite		Tiefe	Durchm. im ungespannten Zustand			Dicke		Querschnitt		RING Sicherheitsfaktor von 2	NUT Sicherheitsfaktor von 3
		(Zoll)	Dg	Tol.	W	Tol.	d	Df	Tol.	T	Tol.	S	Tol.	Pr	Pg
CG-350	3.500	3.316		.120			3.293		.111		.270				
CG-354	3.543	3.357		.120		.093	3.333		.111		.270		49420	23290	
CG-362	3.625	3.435		.120		.095	3.411		.111		.270		50560	24340	
CG-368	3.687	3.493		.120		.097	3.469		.111		.270		51430	25280	
CG-375	3.750	3.552	+.006	.120	+.005	.099	3.527	+.000	.111	+.003	.270	+.005	52310	26240	
CG-387	3.875	3.673	-.006	.120	-.000	.101	3.647	-.035	.111	-.003	.270	-.005	54050	27670	
CG-393	3.938	3.734		.120		.102	3.708		.111		.270		54930	28390	
CG-400	4.000	3.792		.120		.104	3.765		.111		.270		55800	29410	
CG-425	4.250	4.065		.120		.093	4.037		.111		.270		59280	27940	
CG-437	4.375	4.190		.120		.093	4.161		.111		.270		61030	28760	
CG-450	4.500	4.310		.120		.095	4.280		.111		.270		62770	30220	
CG-475	4.750	4.550		.120		.100	4.518		.111		.270		66260	36930	
CG-500	5.000	4.790		.120		.105	4.756		.111		.270		69740	37110	
CG-525	5.250	5.030		.139		.110	4.995		.127		.350		83790	40820	
CG-550	5.500	5.265	+.007	.139	+.006	.118	5.228	+.000	.127	+.004	.350	+.006	87780	45880	
CG-575	5.750	5.505	-.007	.139	-.000	.123	5.466	-.050	.127	-.004	.350	-.006	91770	49990	
CG-600	6.000	5.745		.139		.128	5.705		.127		.350		95760	54290	
CG-625	6.250	5.985		.174		.133	5.938		.156		.418		122520	58760	
CG-650	6.500	6.225		.174		.138	6.181	+.000	.156		.418		127420	63410	
CG-675	6.750	6.465		.174		.143	6.410	-.060	.156		.418		132330	68230	
CG-700	7.000	6.705		.174		.148	6.648		.156		.418		137230	73230	
CG-725	7.250	6.942	+.008	.174	+.008	.154	6.891		.156	+.005	.418	+.007	142130	78920	
CG-750	7.500	7.180	-.008	.209	-.000	.160	7.130		.187	-.005	.437	-.007	176240	84820	
CG-775	7.750	7.420		.209		.165	7.368	+.000	.187		.437		182120	90390	
CG-800	8.000	7.660		.209		.170	7.606	-.070	.187		.437		187990	96130	
CG-825	8.250	7.900		.209		.175	7.845		.187		.437		193870	102050	
CG-850	8.500	8.140		.209		.180	8.083		.187		.437		199740	108150	



Durchmesser im ungespannten Zustand & Ringmaße

Wellendurchmesser & Nutmaße

RING NR.	Wellen durchmesser	Nutgröße					Ringgröße						Axialbelastung (lbs.)		
		Durchmesser		Breite		Tiefe	Durchm. im ungespannten Zustand			Dicke		Querschnitt		RING Sicherheitsfaktor von 2	NUT Sicherheitsfaktor von 3
		(Zoll)	Dg	Tol.	W	Tol.	d	Df	Tol.	T	Tol.	S	Tol.	Pr	Pg
CG-875	8.750	8.383		.209		.184	8.324		.187		.437		205620	113800	
CG-900	9.000	8.620		.209		.190	8.560		.187		.500		211490	120870	
CG-925	9.250	8.860	+ .008	.209		.195	8.798	+ .000	.187		.500		217370	127500	
CG-950	9.500	9.100	- .008	.209		.200	9.036	- .070	.187		.500		223240	134300	
CG-975	9.750	9.338		.209		.206	9.275		.187		.500	+ .007	229120	141970	
CG-1000	10.000	9.575		.209		.213	9.508		.187		.500	- .007	234990	150560	
CG-1025	10.250	9.814		.209		.218	9.745		.187		.500		240870	157950	
CG-1050	10.500	10.054		.209		.223	9.984		.187		.500		246740	165510	
CG-1075	10.750	10.293		.209		.229	10.221		.187		.500		252620	174010	
CG-1100	11.000	10.533		.209		.234	10.459		.187		.500		258490	181950	
CG-1125	11.250	10.772	+ .010	.209	+ .008	.239	10.692	+ .000	.187	+ .005	.500		264360	190060	
CG-1150	11.500	11.011	- .010	.209	- .000	.245	10.934	- .090	.187	- .005	.562		270240	199160	
CG-1175	11.750	11.250		.209		.250	11.171		.187		.562		276120	207640	
CG-1200	12.000	11.490		.209		.255	11.410		.187		.562		281990	216300	
CG-1225	12.250	11.729		.209		.261	11.647		.187		.562		287860	226000	
CG-1250	12.500	11.969		.209		.266	11.885		.187		.562		293740	235030	
CG-1275	12.750	12.208		.209		.271	12.124		.187		.562		299610	244240	
CG-1300	13.000	12.448		.209		.276	12.361		.187		.662	+ .015	305490	253620	
CG-1325	13.250	12.687		.209		.282	12.598		.187		.662	- .010	311360	264120	
CG-1350	13.500	12.927		.209		.287	12.837		.187		.662		317240	273870	
CG-1375	13.750	13.166	+ .012	.209		.292	13.074	+ .000	.187		.662		323110	283800	
CG-1400	14.000	13.405	- .012	.209		.298	13.311	- .110	.187		.662		328990	294900	
CG-1425	14.250	13.644		.209		.303	13.548		.187		.662		334860	305200	
CG-1450	14.500	13.884		.209		.308	13.787		.187		.750		340740	315680	
CG-1475	14.750	14.123		.209		.314	14.024		.187		.750		346610	327380	
CG-1500	15.000	14.363		.209		.319	14.262		.187		.750		352490	338230	

