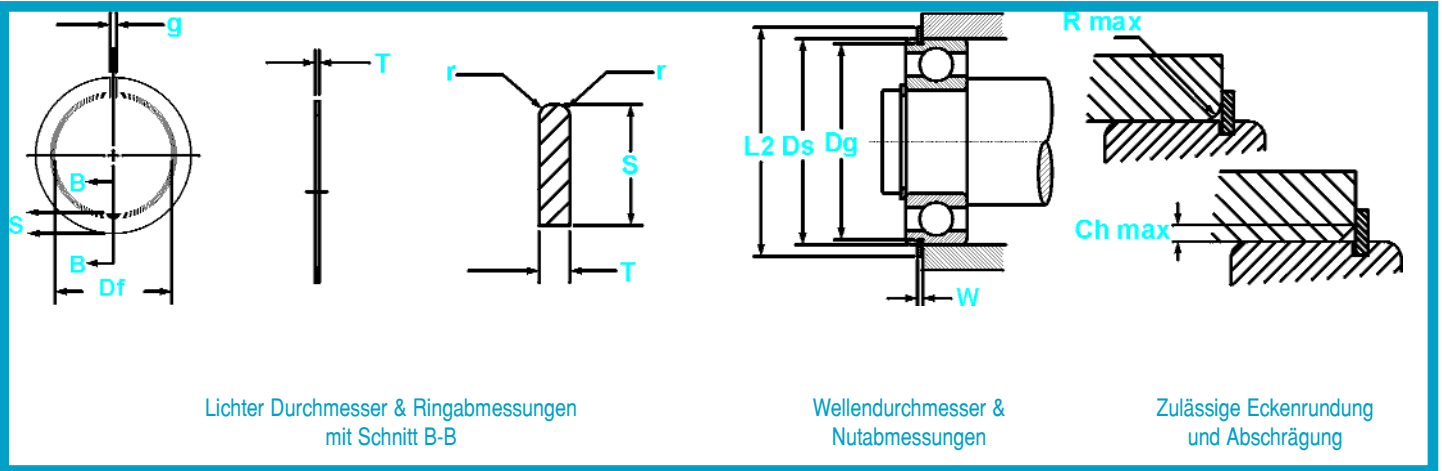
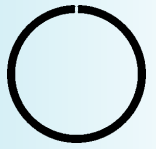


Für Wellen, Metrisch, zur
Sicherung von Standardlagern

CBS Sprengringe

DIN 5417



RING GRÖÖRE	Ds		Durchmesser		Breite		Dicke		Radiale Breite		Durchmesser ungespannt		Spalt- breite	Radius	Gewicht	L2	Pg	Pr	R max Ch max	P'r kN	U/MIN X1000 (1/min)
	DEZ	mm	Dg	TOL.	W	TOL.	T	TOL.	S	TOL.	Df	TOL.	g	r min.	kg/1000						
CBS-30	1.1811	30	28.17		1.35		1.12		3.25		27.4		3	0.4	2.8	34.7	13.7	16.6	2.0	2.91	16.0
CBS-32	1.2598	32	30.15		1.35		1.12		3.25		29.4		3	0.4	3.0	36.7	14.6	14.6	2.0	2.57	13.0
CBS-35	1.3780	35	33.17		1.35		1.12		3.25		32.4	+0.4	3	0.4	3.2	39.7	16.0	13.4	2.0	2.42	11.0
CBS-37	1.4567	37	34.77		1.35		1.12		3.25		34.0		3	0.4	3.4	41.3	20.7	13.6	2.0	2.45	10.0
CBS-40	1.5748	40	38.10		1.35		1.12		3.25		37.3		3	0.4	3.6	44.6	19.3	13.5	2.0	2.50	8.0
CBS-42	1.6535	42	39.75	-0.25	1.35		1.12		3.25		38.9		3	0.4	3.8	46.3	23.5	12.9	2.0	2.39	7.0
CBS-44	1.7323	44	41.75		1.35		1.12		3.25		40.9		3	0.4	4.0	48.3	24.6	12.4	2.0	2.29	7.0
CBS-47	1.8504	47	44.60		1.35		1.12		4.04		43.7	+0.5	4	0.4	5.3	52.7	28.8	12.1	2.0	2.29	7.0
CBS-50	1.9685	50	47.60		1.35		1.12		4.04		46.7		4	0.4	5.8	55.7	30.6	13.3	2.0	2.60	6.0
CBS-52	2.0472	52	49.73		1.35		1.12		4.04		48.8		4	0.4	5.9	57.9	31.6	12.8	2.5	2.01	6.0
CBS-55	2.1654	55	52.60		1.35		1.12		4.04		51.7		4	0.4	6.2	60.7	33.8	11.8	2.5	1.90	5.0
CBS-56	2.2047	56	53.60		1.35		1.12		4.04		52.4		4	0.4	6.5	61.7	34.5	12.1	2.5	1.95	5.0
CBS-58	2.2835	58	55.60		1.35		1.12		4.04		54.4		4	0.4	6.7	63.7	35.6	11.5	2.5	1.89	5.0
CBS-62	2.4409	62	59.61		1.90		1.70		4.04		58.2		4	0.6	10.5	67.7	38.1	37.6	2.5	6.18	5.0
CBS-65	2.5591	65	62.60		1.90		1.70		4.04		61.2	+0.8	4	0.6	11.0	70.7	40.0	34.9	2.5	5.89	4.0
CBS-68	2.6772	68	64.82		1.90		1.70		4.85		63.4		5	0.6	12.6	74.6	55.5	40.9	2.5	7.06	4.0
CBS-72	2.8346	72	68.81		1.90		1.70		4.85		67.4		5	0.6	14.7	78.6	59.0	38.9	2.5	6.71	4.0
CBS-75	2.9528	75	71.83		1.90	+0.3	1.70		4.85		70.4		5	0.6	15.3	81.6	61.5	36.6	2.5	6.46	3.0
CBS-80	3.1496	80	76.81		1.90		1.70		4.85		75.4		5	0.6	16.3	86.6	65.7	34.8	3.0	5.25	3.0
CBS-85	3.3465	85	81.81		1.90		1.70		4.85		80.4		5	0.6	17.5	91.6	70.0	33.5	3.0	5.16	3.0
CBS-90	3.5433	90	86.79		2.70		2.46	-0.1	4.85	-0.15	85.4		5	0.7	26.6	96.5	74.0	93.9	3.0	14.80	2.0
CBS-95	3.7402	95	91.82		2.70		2.46		4.85		90.4		5	0.7	28.2	101.6	76.3	86.8	3.5	12.00	2.0
CBS-100	3.9370	100	96.80		2.70		2.46		4.85		95.2		5	0.7	29.2	106.5	82.5	80.8	3.5	11.40	2.0
CBS-110	4.3307	110	106.81		2.70		2.46		4.85		105.2		5	0.7	32.8	116.6	90.7	71.2	3.5	10.40	1.0
CBS-115	4.5276	115	111.81		2.70		2.46		4.85		110.2	+1.0	5	0.7	34.4	121.6	97.7	66.6	3.5	10.00	1.0
CBS-120	4.7244	120	115.21		3.10		2.82		7.21		113.6		7	0.7	60.6	129.7	143.0	140.0	3.5	21.30	2.0
CBS-125	4.9213	125	120.22		3.10		2.82		7.21		118.6		7	0.7	63.0	134.7	155.0	132.0	4.0	17.90	2.0
CBS-130	5.1181	130	125.22		3.10		2.82		7.21		123.6		7	0.7	65.6	139.7	166.0	124.7	4.0	17.30	1.0
CBS-140	5.5118	140	135.23	-0.50	3.10		2.82		7.21		133.0		7	0.7	70.6	149.7	180.0	111.6	4.0	16.00	1.0
CBS-145	5.7087	145	140.23		3.10		2.82		7.21		138.0		7	0.7	73.0	154.7	186.0	106.4	4.0	15.50	1.0
CBS-150	5.9055	150	145.24		3.10		2.82		7.21		142.9	+1.6	7	0.7	77.2	159.7	193.0	101.5	4.0	15.00	1.0
CBS-160	6.2992	160	155.22		3.10		2.82		7.21		152.9		7	0.7	81.0	169.7	206.0	92.0	4.0	14.10	1.0
CBS-170	6.6929	170	163.65		3.50		3.10		9.60		161.3		10	0.7	122.0	182.9	283.0	148.0	5.0	18.70	1.0
CBS-180	7.0866	180	173.66		3.50		3.10		9.60		171.2		10	0.7	128.0	192.9	292.0	135.0	5.0	17.70	1.0
CBS-190	7.4803	190	183.64		3.50		3.10		9.60		181.0		10	0.7	139.0	202.9	311.0	124.0	5.0	16.70	1.0
CBS-200	7.8740	200	193.65		3.50		3.10		9.60		191.0		10	0.7	148.0	212.9	336.0	116.0	5.0	16.00	1.0
CBS-210	8.2677	210	203.60		3.50		3.10		9.60		200.9		10	1.2	156.0	222.8	356.0	106.0	6.0	12.70	1.0
CBS-215	8.4646	215	208.60		3.50		3.10		9.60		205.9	+1.8	10	1.2	160.0	227.8	376.0	103.0	6.0	12.40	1.0
CBS-225	8.8583	225	217.00		4.50		3.50		10.00		214.3		10	1.2	196.0	237.0	462.0	144.0	6.0	17.90	1.0
CBS-230	9.0551	230	222.00		4.50		3.50		10.00		219.2		10	1.2	200.0	242.0	473.0	139.1	6.0	17.50	1.0
CBS-240	9.4488	240	232.00		4.50		3.50		10.00		229.2		10	1.2	209.0	252.0	495.0	130.0	6.0	16.80	0.5
CBS-250	9.8425	250	242.00		4.50	+0.4	3.50		10.00		239.2		10	1.2	220.0	262.0	514.0	122.0	6.0	16.10	0.5
CBS-260	10.2362	260	252.00		4.50		3.50		10.00		247.5		10	1.2	230.0	272.0	536.0	114.0	6.0	15.50	0.5
CBS-270	10.6299	270	262.00		4.50		3.50		10.00		257.5		10	1.2	240.0	282.0	556.0	107.0	6.0	14.90	0.5
CBS-280	11.0236	280	272.00		4.50		3.50		10.00		267.5	+2.5	10	1.2	250.0	292.0	578.0	101.0	6.0	14.40	0.5
CBS-290	11.4173	290	282.00		4.50		3.50		10.00		277.5		10	1.2	260.0	302.0	598.0	95.4	6.0	13.90	0.4
CBS-300	11.8110	300	290.00		5.50		4.50		12.00		284.5		10	1.5	400.0	314.0	694.0	230.0	7.0	34.20	0.6
CBS-310	12.2047	310	300.00		5.50		4.50		12.00	-0.30	294.0		10	1.5	412.0	324.0	800.0	218.0	7.0	28.40	0.5
CBS-320	12.5984	320	310.00		5.50		4.50		12.00		304.0		10	1.5	420.0	334.0	824.0	207.0	7.0	27.60	0.5
CBS-340	13.3858	340	330.00		5.50	+0.5	4.50	-0.2	12.00		324.0		10	1.5	446.0	354.0	875.0	187.0	7.0	26.00	0.4
CBS-360	14.1732	360	350.00		5.50		4.50		12.00		343.0	+3.0	10	1.5	475.0	374.0	930.0	169.0	7.0	24.50	0.4
CBS-370	14.5669	370	360.00		5.50		4.50		12.00		353.0		10	1.5	485.0	384.0	955.0	162.0	7.0	23.80	0.4
CBS-380	14.9606	380	370.00		5.50		4.50		12.00		363.0		10	1.5	500.0	394.0	995.0	154.0	7.0	23.20	0.4
CBS-400	15.7480	400	390.00		5.50		4.50		12.00		383.0		10	1.5	525.0	414.0	1040.0	144.0	7.0	22.10	0.3