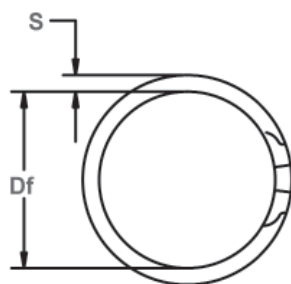
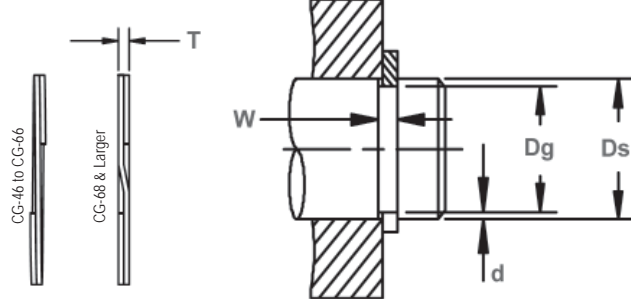


CG Spiral Shaft Rings

External, Heavy Duty
 These 2-turn rings provide 360° groove contact and are ideal for applications with high thrust loads.



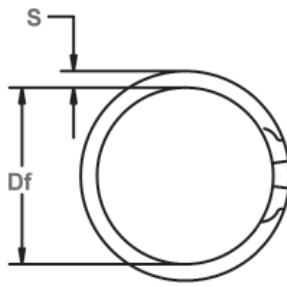
Free Diameter & Ring Measurements



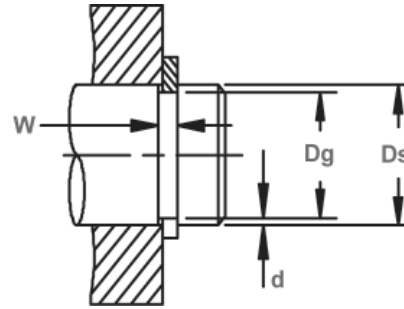
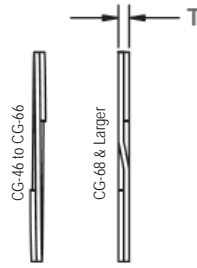
Shaft Diameter & Groove Dimensions

RING NO.	SHAFT DIAMETER (In.)	GROOVE SIZE					RING SIZE					THRUST LOAD (lbs.)		R.P.M. LIMITS Standard Material (Carbon Steel)	
		DIAMETER		WIDTH		DEPTH	FREE DIAMETER		THICKNESS		SECTION		RING Safety factor of 3		GROOVE Safety factor of 2
		Dg	Tol.	W	Tol.	d	Df	Tol.	T	Tol.	S	Tol.			
CG-25*	.250	.230		.029		.010	.228		.021		.020		961	177	36651
CG-31*	.312	.290		.029		.011	.287	+.000	.025		.025		1200	243	31364
CG-37*	.375	.352		.029		.012	.349	-.010	.025		.030		1442	305	23025
CG-43	.437	.412	+.002	.029		.013	.409	+.000/-.012	.025		.035		1680	386	18019
CG-46	.469	.443	-.002	.029		.013	.439		.025		.045		1880	430	21450
CG-50	.500	.468		.039		.016	.464		.035		.050		2530	570	20600
CG-55	.551	.519		.039		.016	.514		.035		.050		2790	620	18260
CG-56	.562	.530		.039		.016	.525		.035		.050		2840	640	17400
CG-59	.594	.559		.039	+.003	.018	.554		.035		.050		3000	760	15390
CG-62	.625	.588		.039	-.000	.019	.583		.035		.055		3160	840	14730
CG-66	.669	.629		.039		.020	.623		.035		.055		3380	950	13860
CG-68	.688	.646		.046		.021	.641		.042		.065		4180	1020	13510
CG-75	.750	.704	+.003	.046		.023	.698		.042		.065		4550	1220	12190
CG-78	.781	.733	-.003	.046		.024	.727		.042	+.002	.065		4740	1330	11110
CG-81	.812	.762		.046		.025	.756	+.000	.042	-.002	.065	+.003	4930	1440	10150
CG-87	.875	.821		.046		.027	.814	-.013	.042		.075	-.005	5310	1670	10340
CG-93	.938	.882		.046		.028	.875		.042		.075		5690	1860	8760
CG-98	.984	.926		.046		.029	.919		.042		.085		5970	2020	8640
CG-100	1.000	.940		.046		.030	.932		.042		.085		6070	2120	8940
CG-102	1.023	.961		.046		.031	.953		.042		.085		6210	2240	8500
CG-106	1.062	.998		.056		.032	.986		.050		.103		7010	2400	11260
CG-112	1.125	1.059		.056		.033	1.047		.050		.103		7420	2620	9820
CG-118	1.188	1.118		.056		.035	1.105		.050		.103		7840	2940	9040
CG-125	1.250	1.176	+.004	.056		.037	1.163		.050		.103		8250	3270	8042
CG-131	1.312	1.232	-.004	.056	+.004	.040	1.218		.050		.118		8660	3710	8280
CG-137	1.375	1.291		.056	-.000	.042	1.277		.050		.118		9070	4080	7430
CG-143	1.438	1.350		.056		.044	1.336		.050		.118		9490	4470	6700
CG-150	1.500	1.406		.056		.047	1.385		.050		.118		9900	4980	6540
CG-156	1.562	1.468	+.005	.068		.047	1.453	+.000	.062	+.003	.128		12780	5190	6110
CG-162	1.625	1.529	-.005	.068		.048	1.513	-.020	.062	-.003	.128		13290	5510	5750

* No Removal Notch.



Free Diameter & Ring Measurements

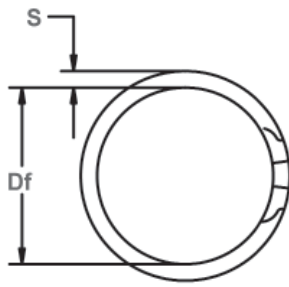


Shaft Diameter & Groove Dimensions

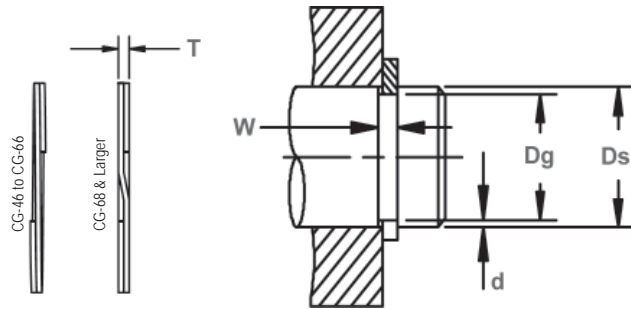
RING NO.	SHAFT DIAMETER		GROOVE SIZE				RING SIZE				SECTION		THRUST LOAD (lbs.)		R.P.M. LIMITS Standard Material (Carbon Steel)
	D _s	D _g	DIAMETER		DEPTH	FREE DIAMETER		THICKNESS		S	Tol.	RING Safety factor of 3	GROOVE Safety factor of 2		
			Tol.	W		Tol.	d	T	Tol.						
CG-168	1.687	1.589		.068		.049	1.573		.062		.128		13800	5840	5260
CG-175	1.750	1.650		.068		.050	1.633		.062		.128		14320	6190	4970
CG-177	1.771	1.669	+ .005	.068	+ .004	.051	1.651	+ .000	.062		.128	+ .003	14490	6380	4990
CG-181	1.812	1.708	- .005	.068	- .000	.052	1.690	- .020	.062		.128	- .005	14820	6660	4720
CG-187	1.875	1.769		.068		.053	1.751		.062		.158		15340	7020	4540
CG-196	1.969	1.857		.068		.056	1.838		.062		.158		16110	7790	4730
CG-200	2.000	1.886		.068		.057	1.867		.062		.158		16360	8060	4560
CG-206	2.062	1.946		.086		.058	1.932		.078		.168		21220	8450	3810
CG-212	2.125	2.003		.086		.061	1.989		.078		.168		21870	9160	3560
CG-215	2.156	2.032		.086		.062	2.018		.078		.168		22190	9450	3450
CG-225	2.250	2.120		.086		.065	2.105		.078		.168		23160	10340	3240
CG-231	2.312	2.178		.086		.067	2.163	+ .000	.078	+ .003	.168		23800	10950	3040
CG-237	2.375	2.239		.086		.068	2.223	- .025	.078	- .003	.200		24440	11420	3380
CG-243	2.437	2.299		.086		.069	2.283		.078		.200		25080	11890	3180
CG-250	2.500	2.360		.086		.070	2.343		.078		.200		25730	12370	3090
CG-255	2.559	2.419		.086		.070	2.402		.078		.200		26340	12660	2920
CG-262	2.625	2.481	+ .006	.086	+ .005	.072	2.464		.078		.200	+ .004	27020	13360	2750
CG-268	2.687	2.541	- .006	.086	- .000	.073	2.523		.078		.200	- .006	27660	13870	2680
CG-275	2.750	2.602		.103		.074	2.584		.093		.225		32140	14390	2790
CG-287	2.875	2.721		.103		.077	2.702		.093		.225		33600	15650	2590
CG-293	2.937	2.779		.103		.079	2.760		.093		.225		34320	16400	2460
CG-300	3.000	2.838		.103		.081	2.818		.093		.225		35060	17180	2410
CG-306	3.062	2.898		.103		.082	2.878	+ .000	.093		.225		35790	17750	2290
CG-312	3.125	2.957		.103		.084	2.936	- .030	.093		.225		36520	18560	2240
CG-315	3.156	2.986		.103		.085	2.965		.093		.225		36880	18960	2190
CG-325	3.250	3.076		.103		.087	3.054		.093		.225		37980	19990	2100
CG-334	3.344	3.166		.103		.089	3.144		.093		.225		39080	21040	1960
CG-343	3.437	3.257		.103		.090	3.234		.093		.225		40170	21870	1880

CG Spiral Shaft Rings

External, Heavy Duty
 These 2-turn rings provide 360° groove contact and are ideal for applications with high thrust loads.

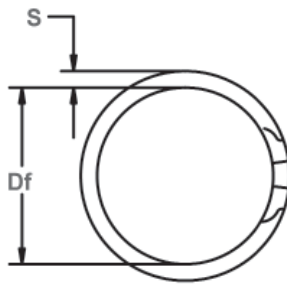


Free Diameter & Ring Measurements

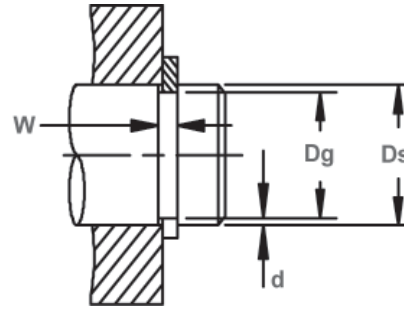
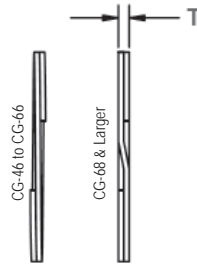


Shaft Diameter & Groove Dimensions

RING NO.	SHAFT DIAMETER (In.)	GROOVE SIZE					RING SIZE					THRUST LOAD (lbs.)		R.P.M. LIMITS Standard Material (Carbon Steel)	
		DIAMETER		WIDTH		DEPTH	FREE DIAMETER		THICKNESS		SECTION		RING Safety factor of 3		GROOVE Safety factor of 2
		Ds	Dg	Tol.	W	Tol.	d	Df	Tol.	T	Tol.	S	Tol.		
CG-350	3.500	3.316		.120		.092	3.293		.111		.270		48820	22760	2090
CG-354	3.543	3.357		.120		.093	3.333		.111		.270		49420	23290	2080
CG-362	3.625	3.435		.120		.095	3.411		.111		.270		50560	24340	1970
CG-368	3.687	3.493		.120		.097	3.469		.111		.270		51430	25280	1890
CG-375	3.750	3.552	+ .006	.120	+ .005	.099	3.527	+ .000	.111	+ .003	.270	+ .004	52310	26240	1860
CG-387	3.875	3.673	- .006	.120	- .000	.101	3.647	- .035	.111	- .003	.270	- .006	54050	27670	1750
CG-393	3.938	3.734		.120		.102	3.708		.111		.270		54930	28390	1690
CG-400	4.000	3.792		.120		.104	3.765		.111		.270		55800	29410	1660
CG-425	4.250	4.065		.120		.093	4.037		.111		.270		59280	27940	1440
CG-437	4.375	4.190		.120		.093	4.161		.111		.270		61030	28760	1360
CG-450	4.500	4.310		.120		.095	4.280		.111		.270		62770	30220	1300
CG-475	4.750	4.550		.120		.100	4.518		.111		.270		66260	36930	1180
CG-500	5.000	4.790		.120		.105	4.756		.111		.270		69740	37110	1080
CG-525	5.250	5.030		.139		.110	4.995		.127		.350		83790	40820	1210
CG-550	5.500	5.265	+ .007	.139	+ .006	.118	5.228	+ .000	.127	+ .004	.350		87780	45880	1120
CG-575	5.750	5.505	- .007	.139	- .000	.123	5.466	- .050	.127	- .004	.350		91770	49990	1030
CG-600	6.000	5.745		.139		.128	5.705		.127		.350		95760	54290	
CG-625	6.250	5.985		.174		.133	5.938		.156		.418		122520	58760	
CG-650	6.500	6.225		.174		.138	6.181	+ .000	.156		.418		127420	63410	
CG-675	6.750	6.465		.174		.143	6.410	- .060	.156		.418	+ .004	132330	68230	
CG-700	7.000	6.705		.174		.148	6.648		.156		.418	- .008	137230	73230	
CG-725	7.250	6.942	+ .008	.174	+ .008	.154	6.891		.156	+ .005	.418		142130	78920	
CG-750	7.500	7.180	- .008	.209	- .000	.160	7.130		.187	- .005	.437		176240	84820	
CG-775	7.750	7.420		.209		.165	7.368	+ .000	.187		.437		182120	90390	
CG-800	8.000	7.660		.209		.170	7.606	- .070	.187		.437		187990	96130	
CG-825	8.250	7.900		.209		.175	7.845		.187		.437		193870	102050	
CG-850	8.500	8.140		.209		.180	8.083		.187		.437		199740	108150	



Free Diameter & Ring Measurements



Shaft Diameter & Groove Dimensions

RING NO.	SHAFT DIAMETER (In.)	GROOVE SIZE					RING SIZE				SECTION		THRUST LOAD (lbs.)		R.P.M. LIMITS Standard Material (Carbon Steel)
		DIAMETER		WIDTH		DEPTH	FREE DIAMETER		THICKNESS				RING Safety factor of 3	GROOVE Safety factor of 2	
		Ds	Dg	Tol.	W	Tol.	d	Df	Tol.	T	Tol.	S	Tol.		
CG-875	8.750	8.383		.209		.184	8.324		.187		.437	+.004 -.006	205620	113800	CONTACT FACTORY LIMITS REGARDING MAX RPM LARGER DIAMETER RINGS
CG-900	9.000	8.620		.209		.190	8.560		.187		.500		211490	120870	
CG-925	9.250	8.860	+.008	.209		.195	8.798	+.000	.187		.500		217370	127500	
CG-950	9.500	9.100	-.008	.209		.200	9.036	-.070	.187		.500		223240	134300	
CG-975	9.750	9.338		.209		.206	9.275		.187		.500		229120	141970	
CG-1000	10.000	9.575		.209		.213	9.508		.187		.500		234990	150560	
CG-1025	10.250	9.814		.209		.218	9.745		.187		.500		240870	157950	
CG-1050	10.500	10.054		.209		.223	9.984		.187		.500		246740	165510	
CG-1075	10.750	10.293		.209		.229	10.221		.187		.500		252620	174010	
CG-1100	11.000	10.533		.209		.234	10.459		.187		.500		258490	181950	
CG-1125	11.250	10.772	+.010	.209	+.008	.239	10.692	+.000	.187	+.005	.500		264360	190060	
CG-1150	11.500	11.011	-.010	.209	-.000	.245	10.934	-.090	.187	-.005	.562		270240	199160	
CG-1175	11.750	11.250		.209		.250	11.171		.187		.562	+.005	276120	207640	
CG-1200	12.000	11.490		.209		.255	11.410		.187		.562	-.010	281990	216300	
CG-1225	12.250	11.729		.209		.261	11.647		.187		.562		287860	226000	
CG-1250	12.500	11.969		.209		.266	11.885		.187		.562		293740	235030	
CG-1275	12.750	12.208		.209		.271	12.124		.187		.562		299610	244240	
CG-1300	13.000	12.448		.209		.276	12.361		.187		.662		305490	253620	
CG-1325	13.250	12.687		.209		.282	12.598		.187		.662		311360	264120	
CG-1350	13.500	12.927		.209		.287	12.837		.187		.662		317240	273870	
CG-1375	13.750	13.166	+.012	.209		.292	13.074	+.000	.187		.662		323110	283800	
CG-1400	14.000	13.405	-.012	.209		.298	13.311	-.110	.187		.662		328990	294900	
CG-1425	14.250	13.644		.209		.303	13.548		.187		.662		334860	305200	
CG-1450	14.500	13.884		.209		.308	13.787		.187		.750		340740	315680	
CG-1475	14.750	14.123		.209		.314	14.024		.187		.750		346610	327380	
CG-1500	15.000	14.363		.209		.319	14.262		.187		.750		352490	338230	