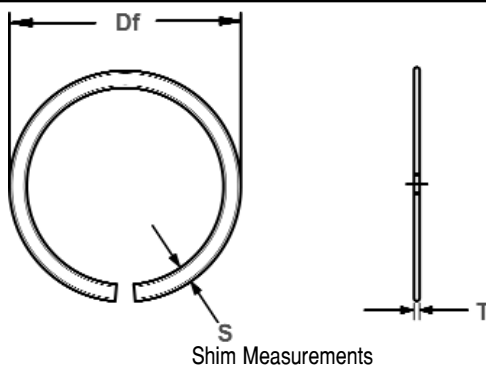


# Shims

Shims are typically used in order to support, adjust for better fit, or provide a level surface. Shims may also be used as spacers to fill gaps between parts subject to wear.



Shim Measurements

RING NO.	RING SIZE			
	FREE DIAMETER		THICKNESS	SECTION
	Df	Tol.	T	S
KMS-75	0.750	+.000 -.015	.024	.093
KMS-87	0.875		.024	.093
KMS-100	1.000		.024	.103
KMS-112	1.125		.024	.138
KMS-125	1.250		.024	.138
KMS-137	1.375		.024	.138
KMS-150	1.500	+.000 -.020	.024	.150
KMS-162	1.625		.024	.150
KMS-175	1.750		.024	.150
KMS-187	1.875		.024	.150
KMS-200	2.000		.024	.150
KMS-212	2.125		.024	.150
KMS-225	2.250	+.000 -.025	.024	.150
KMS-237	2.375		.024	.178
KMS-250	2.500		.024	.178
KMS-262	2.625		.024	.178
KMS-275	2.750		.030	.188
KMS-287	2.875		.030	.188
KMS-300	3.000	+.000 -.030	.030	.188
KMS-312	3.125		.030	.188
KMS-325	3.250		.030	.233
KMS-337	3.375		.030	.233
KMS-350	3.500		.030	.233
KMS-362	3.625		.030	.233
KMS-375	3.750	+.000 -.035	.030	.233
KMS-387	3.875		.030	.233
KMS-400	4.000		.030	.233
KMS-412	4.125		.030	.233
KMS-425	4.250		.030	.233
KMS-437	4.375		.030	.233
KMS-450	4.500	+.000 -.090	.030	.233
KMS-462	4.625		.030	.233
KMS-475	4.750		.030	.233
KMS-487	4.875		.030	.233
KMS-500	5.000		.030	.233

RING NO.	RING SIZE			
	FREE DIAMETER		THICKNESS	SECTION
	Df	Tol.	T	S
KMS-512	5.125	+.000	.030	.233
KMS-525	5.250	-.035	.030	.233
KMS-537	5.375	+.000 -.045	.030	.233
KMS-550	5.500		.030	.233
KMS-562	5.625		.030	.233
KMS-575	5.750		.030	.233
KMS-587	5.875		.030	.233
KMS-600	6.000		.030	.233
KMS-612	6.125	+.000 -.060	.030	.233
KMS-625	6.250		.030	.233
KMS-637	6.375		.030	.233
KMS-650	6.500		.030	.233
KMS-675	6.750		.030	.233
KMS-700	7.000		.032	.375
KMS-725	7.250	+.000 -.070	.032	.375
KMS-750	7.500		.032	.375
KMS-775	7.750		.032	.375
KMS-800	8.000		.032	.375
KMS-825	8.250		.032	.375
KMS-850	8.500		.032	.375
KMS-900	9.000	+.000 -.080	.032	.375
KMS-950	9.500		.032	.375
KMS-1000	10.000		.032	.375
KMS-1050	10.500		.032	.375
KMS-1100	11.000		.032	.375
KMS-1150	11.500		.032	.375
KMS-1200	12.000	+.000 -.090	.032	.375
KMS-1250	12.500		.032	.375
KMS-1300	13.000		.032	.375
KMS-1350	13.500		.032	.375
KMS-1400	14.000		.032	.375
KMS-1450	14.500		.032	.375
KMS-1500	15.000	+.000 -.090	.032	.375
KMS-1550	15.500		.032	.375
KMS-1600	16.000		.032	.375