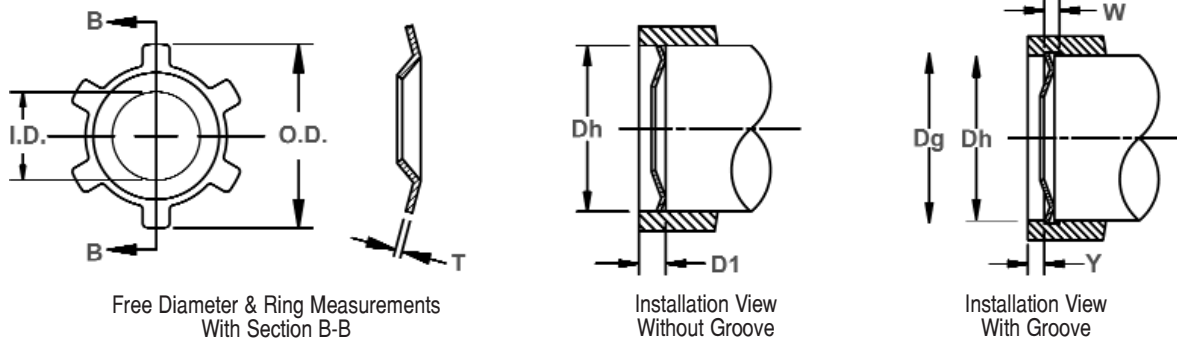


Self-Locking, Internal "Push-On", Metric

The internal version of the TX with a curved inner rim and a series of prongs protruding outward. The ends create interference with the housing when the ring is installed and a load introduced to the other side.

DTI Housing Rings



RING NO.	HOUSING DIAMETER		GROOVE SIZE DIMENSIONS			RING DIMENSIONS				SUPPLEMENTARY DATA			
						No. Of Prongs	THICK-NESS	WEIGHT Per 1000 Pcs.	Min. Dis-tance	THRUST LOAD	EDGE MARGIN		
												I.D.	O.D.
	Dh	TOL.	Dg	Tol.	W Min.								
DTI-8.0	8,0	+0,09	8,10	+0,060	0,4	4,0	8,25	6	0,25	0,048	2,0	300	1,0
DTI-10.0	10,0	-0,00	10,10	+0,075	0,4	5,0	10,20	6	0,25	0,068	2,0	350	1,0
DTI-12.0	12,0		12,10		0,4	6,0	12,25	6	0,25	0,112	2,5	450	1,0
DTI-14.0	14,0		14,10	0,5	8,0	14,25	6	0,30	0,172	2,5	500	1,0	
DTI-15.0	15,0	+0,11	15,10	0,5	9,0	15,25	6	0,30	0,192	2,5	550	1,0	
DTI-16.0	16,0	-0,00	16,15	0,5	10,0	16,30	6	0,30	0,206	2,5	600	1,5	
DTI-17.0	17,0		17,15	0,5	11,0	17,30	8	0,30	0,236	3,0	650	1,5	
DTI-18.0	18,0		18,15	0,8	10,5	18,30	8	0,40	0,380	3,0	700	1,5	
DTI-19.8	19,8		20,00	0,8	11,0	20,20	8	0,50	0,604	3,5	800	1,5	
DTI-20.0	20,0		20,20	0,8	11,0	20,35	8	0,40	0,512	3,5	800	1,5	
DTI-22.0	22,0	+0,13	22,20	1,0	13,0	22,35	8	0,50	0,680	3,5	800	2,0	
DTI-25.0	25,0	-0,00	25,20	1,0	16,0	25,35	10	0,50	0,810	3,5	800	2,0	
DTI-26.0	26,0		26,20	1,0	17,0	26,40	10	0,50	0,856	3,5	850	2,0	
DTI-28.0	28,0		28,20	1,0	19,0	28,40	10	0,50	0,922	3,5	850	2,0	
DTI-30.0	30,0		30,20	1,0	21,0	30,40	8	0,50	1,010	4,0	900	2,0	
DTI-32.0	32,0		32,20	1,0	22,5	32,40	12	0,50	1,210	4,0	900	2,0	
DTI-35.0	35,0	+0,160	35,20	1,0	25,0	35,40	12	0,50	1,320	4,0	900	2,0	
DTI-40.0	40,0	-0,00	40,20	1,0	30,0	40,40	12	0,50	1,720	4,0	950	2,0	
DTI-45.0	45,0		45,20	1,0	35,0	45,40	12	0,50	1,830	4,0	950	2,0	
DTI-46.0	46,0		46,20	1,0	36,0	46,50	12	0,50	1,870	4,0	1000	2,0	
DTI-50.0	50,0		50,20	1,0	39,0	50,50	12	0,50	2,160	4,0	1000	2,0	

ALL DIMENSIONS IN MILLIMETERS.

HARDNESS RANGES: STAINLESS STEEL RINGS (PH 15-7MO)

RING TYPE	SIZE RANGE	HARDNESS		
		VICKERS	ROCKWELL	
			HRC	LOWER SCALE*
DTI	8-20***	435-530	44-51	82.5-86 HR15N**
	19.8, 22-50	435-530	44-51	82.5-86 HR15N

*WHERE APPLICABLE

**HARDNESS CAN NOT BE CHECKED WITH ANY DEGREE OF ACCURACY DIRECTLY ON THESE RINGS.

***EXCLUDING DTI-19.8

HARDNESS RANGES: CARBON STEEL RINGS (SAE 1060-1090)

RING TYPE	SIZE RANGE	HARDNESS		
		VICKERS	ROCKWELL	
			HRC	LOWER SCALE*
DTI	8-20***	450-520	45-50	83-85.5 HR15N**
	19.8, 22-50	450-520	45-50	83-85.5 HR15N

*WHERE APPLICABLE

**HARDNESS CAN NOT BE CHECKED WITH ANY DEGREE OF ACCURACY DIRECTLY ON THESE RINGS.

***EXCLUDING DTI-19.8

